

6.1 INTRODUCTION

6.1.1 General

The purpose of this parts list, prepared by Collins Radio Group of Rockwell International, is for identification, requisition, and issuance of parts.

Parts listed meet critical equipment design specification requirements. Use only part numbers specified in this parts list for replacement of parts.

6.1.2 Group Assembly Parts List

FIG - ITEM Column — Digits preceding the dash refer to figure numbers. Digits following the dash are item numbers assigned in sequence to correspond with item numbers on the illustrations.

PART NO Column — Listed are MIL standard, vendor, or Collins part numbers. Collins part numbering system consists of 10 digits as follows: a 3-digit family number, a 4-digit serial number, and a 3-digit dash number.

INDENT Column — Items are coded 1, 2, 3, etc, to indicate the relationship to the next higher assembly.

DESCRIPTION Column — Lists the noun name, modifier, descriptive information, federal manufacturer's code, reference designation, attaching part (AP), reference to other figures, and effectivities.

Attaching parts are identified by (AP) following the part or parts they attach.

Effectivities are identified by the following methods: MCN (Manufacturer Control Number) 101 and up; CI (Configuration Identifier) 5-digit number; REV (Revision Identifier) dash (-) denotes original, letter A first change, letter B second change, etc. One of the above identifiers is listed on each chassis and/or replaceable assembly. Service Bulletins are identified by SB 1, SB 2, etc.

USABLE ON CODE Column — Part variations within a group of equipment are indicated by a letter code (A, B, C, etc). Absence of a code indicates part applies to all models.

UNITS PER ASSY Column — Quantities specified are per item number. Letters AR denote the selection of parts as required. Letters RF refer to an assembly completely assembled on a preceding figure and illustration.

6.1.3 Numerical Index

PART NUMBER Column — Part numbers are listed in alphanumeric sequence.

FIG - ITEM Column — Digits preceding the dash refer to figure numbers. Digits following the dash are item numbers.

TTL REQ Column — Listed is the total quantity of parts or assemblies covered in the Group Assembly Parts List.

6.1.4 Reference Designation Index

REFERENCE DESIGNATION Column — Reference designations are listed in alphanumeric sequence.

FIG - ITEM Column — Digits preceding the dash refer to figure numbers. Digits following the dash are item numbers.

PART NUMBER Column — Part numbers listed are for items that have reference designations assigned.

6.1.5. How to Use This Parts List

To locate a part number if the assembly in which the part is used is known, turn to the List of Illustrations and find the page number for the assembly in which the part is used. Locate the part and its index number on the illustration and find the index number on the Group Assembly Parts List page to determine its description and part number.

To locate the illustration for a part if the part number is known, refer to the Numerical Index and find the part number. Turn to the Group Assembly Parts List and find the first figure and index number indicated in the Numerical Index for that part. If this figure shows the part in a section or system of the equipment other than the one desired, refer to the other figure numbers listed in the Numerical Index.

section 6
parts list

To locate the illustration for a part if the reference designation is known, refer to the Reference Designation Index and find the symbol; turn to the Group Assembly Parts List and find the figure and index number indicated in the index.

6.1.6 Manufacturer's Code, Name, and Address

CODE	MANUFACTURER'S NAME AND ADDRESS	CODE	MANUFACTURER'S NAME AND ADDRESS
		11700	J. B. Electronic Transformers, Inc. 2310 W. Armitage Chicago, IL 60647
A1334	Joyner Corp. Ocoess, MN	12204	Chrysler Corp. 341 Massachusetts Ave. Detroit, MI 48231
01884	Sprague Electric Co. Dearborn Electronics Div. P.O. Box 1076 Longwood, FL 32750	12697	Clarostat Mfg. Co., Inc. Lower Washington St. Dover, NH 03820
02660	Bunker-Ramo Corp. The Amphenol Connector Div. 2801 S. 25th Ave. Broadview, IL 60153	14370	Continental Rubber Works 1953 Liberty Ave. Erie, PA 16502
04009	Arrow-Hart, Inc. 103 Hawthorne St. Hartford, CT 06106	14608	Corbin Cabinet Lock Div. of Emhart Corp. 225 Episcopal Rd. Berlin, CT 06037
04713	Motorola, Inc. Semiconductor Products Div. 5005 E. McDowell Rd. Phoenix, AZ 85008	19500	Edison, Thomas A., Industries Div. of McGraw-Edison New Jersey 51 Lakeside Ave. West Orange, NJ 07052
06980	Varian Associates Emiac Div. 301 Industrial Way San Carlos, CA 94070	23452	Franklin Electric Co., Inc. 400 E. Spring St. Bluffton, IN 46714
07910	Teledyne Semiconductor 12515 Chadron Ave. Hawthorne, CA 90250	24226	Gowanda Electronics Corp. 179 Broadway Rd. Gowanda, NY 14070
08594	EIMAC Div. of Varian Ass. Salt Lake City Facility 1678 S. Pioneer Rd. Salt Lake City, UT 84104	24446	General Electric Co. 1 River Road Schenectady, NY 12305
09250	Electro Assemblies, Inc. 4338 W. Montrose Ave. Chicago, IL 60641	27193	Cutler-Hammer, Inc. Specialty Products Div. 4201 N. 27th St. Milwaukee, WI 53216
09922	Burndy Corp. Richards Ave. Norwalk, CT 06852	29238	Hart-Advance Relay Div. Oak Electro/Netics Corp. 201 W. Centralia St. Elkhorn, WI 53121

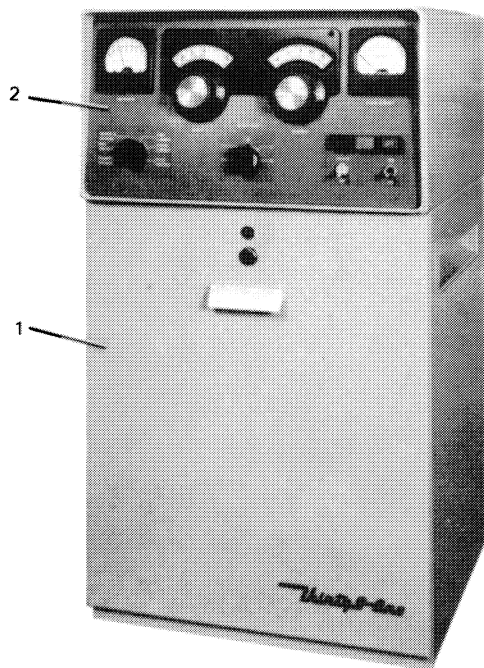
CODE	MANUFACTURER'S NAME AND ADDRESS	CODE	MANUFACTURER'S NAME AND ADDRESS
37942	Mallory, P. R., and Co., Inc. 3029 E. Washington St. Indianapolis, IN 46206	71313	Cardwell Condenser Corp. 80 E. Montauk Hwy. Lindenhurst, NY 11757
42498	National Radio Co., Inc. 78 Stone P1 Melrose, MA 02176	71400	Bussmann Mfg. Div. of McGraw Edison Co. 2536 W. University St. St. Louis, MO 63107
44655	Ohmite Mfg. Co. 3601 W. Howard St. Skokie, IL 60076	71590	Centralab Electronics Div. of Globe-Union, Inc. 5757 N. Green Bay Ave. Milwaukee, WI 53201
45722	U. S. M. Corp. Parker-Kalon Fastener Div. 1 Peekay Dr. Clifton, NJ 07014	71785	TRW Electronic Components Cinch Div. 1501 Morse Ave. Elk Grove Village, IL 60617
46384	Penn Engineering and Mfg. Co. Old Easton Hwy. Doylestown, PA 18901	72136	Electro Motive Mfg. Co., Inc., The South Park and John Streets Willimantic, CT 06226
55026	Simpson Electric Co. Div. of American Gage and Machine Co. 5200 W. Kinzie St. Chicago, IL 60644	72765	Drake Mfg. Co. 4626 N. Olcott Ave. Harwood Heights, IL 60656
56289	Sprague Electric Co. North Adams, MA 01247	72962	Elastic Stop Nut Div. of Amerace Esna Corp. 2330 Vauxhall Rd. Union, NJ 07083
59730	Thomas and Betts Co., The 36 Butler St. Elizabeth, NJ 07207	72982	Erie Technological Products, Inc. 644 W. 12th St. Erie, PA 16512
70371	American Lava Corp. Cherokee Blvd and Manufacturers Rd. Chattanooga, TN 37405	73386	Freed Transformer Co., Inc. 1736 Weirfield St. Brooklyn, NY 11227
70485	Atlantic India Rubber Works, Inc. 571 W. Polk St. Chicago, IL 60607	74970	Johnson, E. F., Co. 299 10th Ave. S.W. Waseca, MN 56093
70674	A. D. C. Products Div. of Magnetic Controls Co. 4900 W. 78th St. Minneapolis, MN 55435	75346	Kirkland, H. R., Co. 8-10 King St. Morristown, NJ 07960
71279	Cambridge Thermionic Corp. 445 Concord Ave. Cambridge, MA 02138	75543	Lavelle Rubber Co. 424 N. Wood Chicago, IL 60622

CODE	MANUFACTURER'S NAME AND ADDRESS	CODE	MANUFACTURER'S NAME AND ADDRESS
75618	Lion Fastener Co., Inc. N. Main Honeoye Falls, NY 14472	82142	Airco Speer Electronics Div. of Air Reduction Co., Inc. Grand Plaza 945 Grand Ave. Nogales, AZ 85621
76005	Lord Mfg. Co. Div. of Lord Corp. 1635 W. 12th St. Erie, PA 16512	83827	Resistors, Inc. 5228 W. 26th St. Chicago, IL 60650
76854	Oak Industries Inc. Switch Div. Crystal Lake, IL 60014	84970	Sarkes Tarizian, Inc. Broadcast Eqpt. Div. E. Hillside Dr. Bloomington, IN 47401
77250	Pheoll Mfg. Co. Div. of Allied Products Corp. 5700 W. Roosevelt Rd. Chicago, IL 60650	86684	RCA Corp. Electronic Components 415 S. 5th St. Harrison N.J. 07029
77342	AMF, Inc. Potter and Brumfield Div. 1200 E. Broadway Princeton, IN 47570	91459	Alcon Metal Products, Inc. 1750 N. Kimball Ave. Chicago, IL 60647
80008	Electro Engineering Works, Inc. 401 Preda St. San Leandro, CA 94577	91637	Dale Electronics, Inc. P.O. Box 609 Columbus, NB 68601
80033	Prestole Everlock, Inc. 1345 Miami St. Loledo, OH 43605	92825	Whitso, Inc. 9330 Byron St. Schiller Park, IL 60176
80058	Joint Electronic Type Designation System	94222	Southco, Inc. Lester, PA 19113
80089	Essex Wire Corp. Controls Div. 131 Godfrey St. Logansport, IN 46947	94635	Gray Stamping and Mfg. Co. W. John St. Plano, IL 60545
81091	Pass and Seymour, Inc. Solvay Station Syracuse, NY 13209	96906	Military Standards
81349	Military Specifications	<i>6.1.7 Configuration Identifiers</i>	
81483	International Rectifier Corp. 9220 Sunset Blvd. Los Angeles, CA 90069	The following CI/REV LTRS were used in compiling data for this manual:	

<u>CI/REV</u>	<u>UNIT</u>	<u>FIG-ITEM</u>
<u>LTR</u>	<u>PART NUMBER</u>	
72416	522-1286-011	6-1
AD	544-6873-000	6-2

<u>CI/REV</u> <u>LTR</u>	<u>UNIT</u> <u>PART NUMBER</u>	<u>FIG-ITEM</u>
71272	544-7024-005	6-2-59
71272	544-6995-003	6-2-76
71272	545-7825-003	6-2-77
72443	544-6879-000	6-2-83
K	544-6877-000	6-2-112
71272	544-6871-000	6-2-169
71272	544-6883-000	6-3
71272	544-6970-002	6-3-11
71272	544-6872-000	6-4-13
AB	544-6874-000	6-5
71272	544-6882-000	6-5-14
AE	544-6880-000	6-6
71105	609-0691-001	6-7
71083	609-0690-001	6-7-20

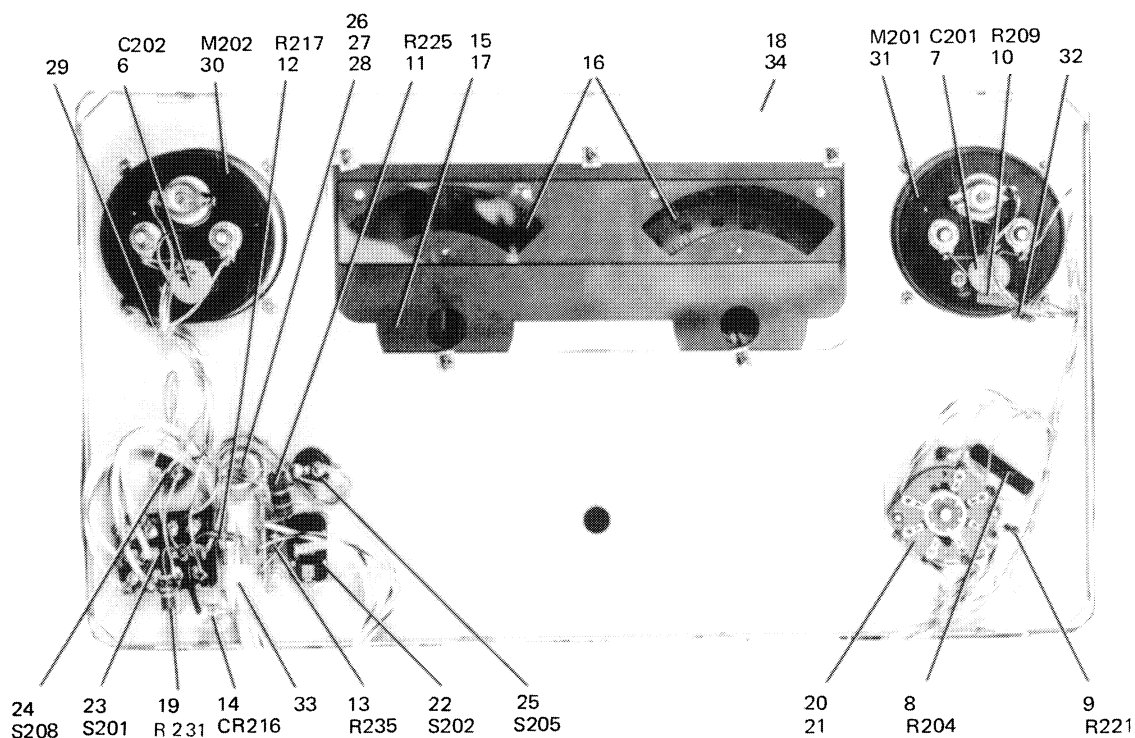
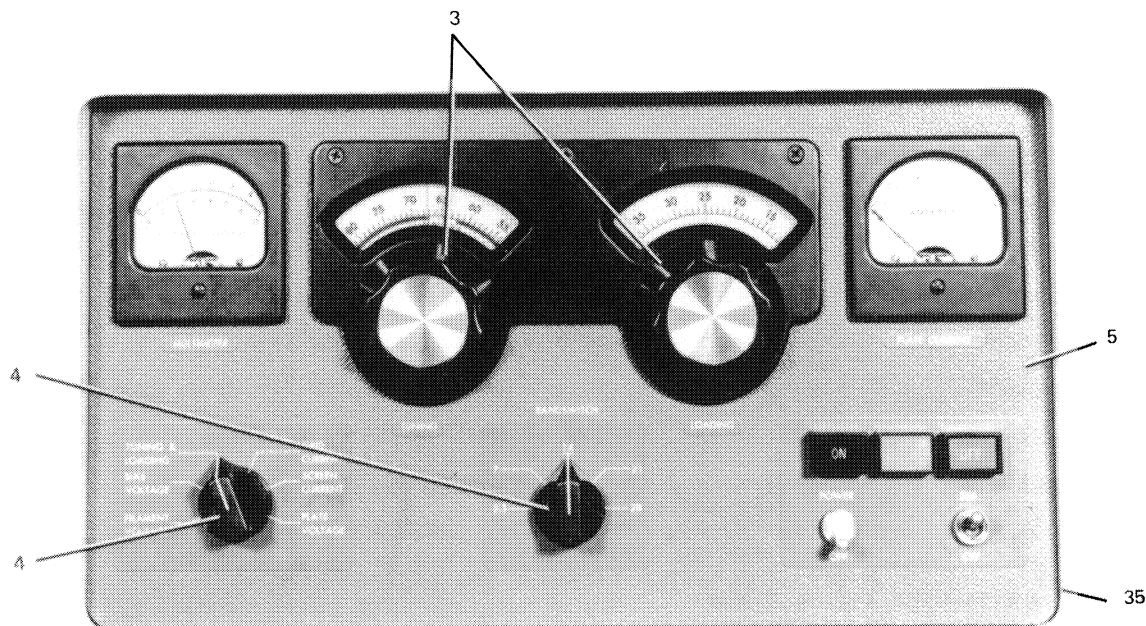
6.2 GROUP ASSEMBLY PARTS LIST



TP3-5558-027

30S-1 Power Amplifier
Figure 6-1 (Sheet 1 of 2)

GROUP ASSEMBLY PARTS LIST



TP3-5558-0 2 7

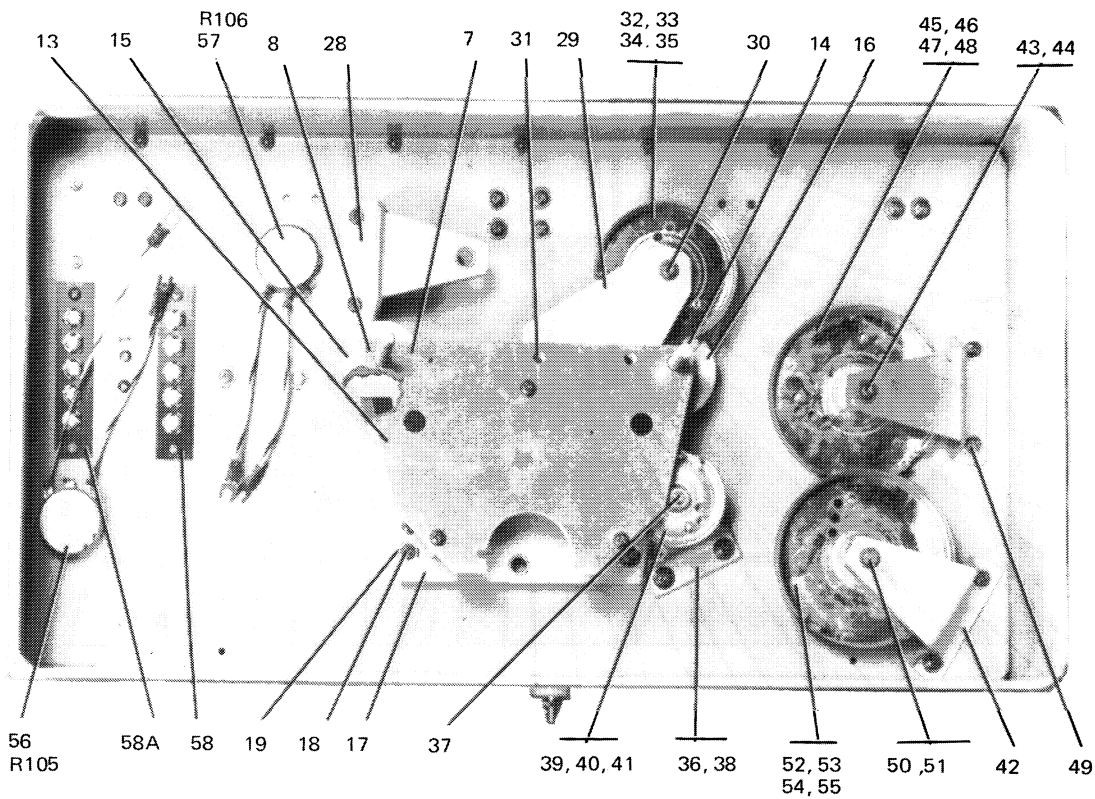
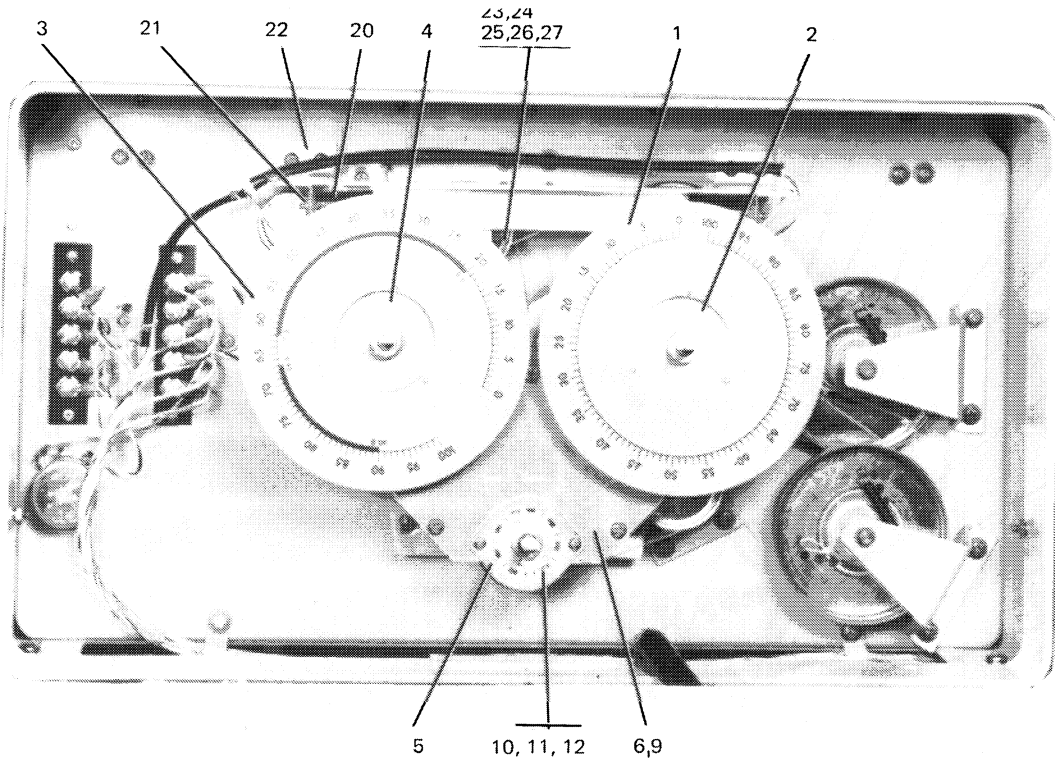
30S-1 Power Amplifier
Figure 6-1 (Sheet 2)

section 6
parts list

GROUP ASSEMBLY PARTS LIST

FIG - ITEM	PART NO	INDENT	DESCRIPTION	USABLE ON CODE	UNITS PER ASSY
6-1 -	522-1286-011	1	AMPLIFIER, POWER 30S-1		1
1	NO NUMBER	2	CABINET ASSY, POWER SUPPLY (SEE FIG 6-4)		1
2	NO NUMBER	2	CABINET ASSY, UPPER		1
3	545-7815-000	3	KNOB		2
4	544-0781-004	3	KNOB, POINTER		2
5	NO NUMBER	3	PANEL ASSY, FRONT		1
6	36C175A	4	CAPACITOR,FXD, CER DIEI, 10000PF, 20%, 500V (V56289) 913-3013-000 C202		1
7	36C175A	4	CAPACITOR,FXD, CER DIEI, 10000PF, 20%, 500V (V56289) 913-3013-000 C201		1
8	R3741XOK10R10H	4	RESISTOR,FXD,WW 10.1 OHMS, 3%, 7W (V91637) 746-9186-000 R204		1
9	RN6501100F	4	RESISTOR,FXD, FILM, 110 OHMS, 1%, 1/2W (V81349) 705-7050-000 R221		1
10	RN7008060F	4	RESISTOR,FXD, FILM, 806 OHMS, 1%, 3/4W (V81349) 705-7779-000 R209		1
11	RCR42G560KS	4	RESISTOR,FXD, CMPSN, 56 OHMS, 10%, 2W (V81349) 745-5600-000 R225		1
12	RCR20G204JS	4	RESISTOR,FXD, CMPSN, 0.20MEGO, 5%, 1/2W (V81349) 745-1448-000 R217		1
13	RCR32G472KS	4	RESISTOR,FXD, CMPSN, 4.7K, 10%, 1W (V81349) 745-3380-000 R235		1
14	1N1492	4	SEMICOND DEVICE (V81483) 353-1661-000 CR216		1
15	544-6958-002	4	ESCUTCHEON		1
16	544-6957-002	5	WINDOW, DIAL		2
17	544-6996-003	5	ESCUTCHEON		1
18	544-6884-000	4	PANEL ASSY		1
19	RCR32G473KS	5	RESISTOR,FXD, CMPSN, 47K, 10%, 1W (V81349) 745-3422-000 R231		1
20	259-1027-000	5	SWITCH,RTRY 259-1027-000 S207		1
21	31-759	5	TERMINAL,LUG (V02660) 304-0139-000		1
22	83001	5	SWITCH,TGL (V04009) 260-2613-000 S202		1
23	7665K4	5	SWITCH,TGL (V27193) 266-0072-000 S201		1
24	1025NC	5	SWITCH,PB (V75346) 260-2697-000 S208		1
25	1025ND	5	SWITCH,PB (V75346) 260-2696-000 S203		1
26	262-0626-000	5	LENS,LIGHT, RED 262-0626-000		1
27	MS15571-2	5	LAMP,INCAND (V96906) 262-3240-000 DS202		1
28	262-0627-000	5	LIGHT,HOLDER 262-0627-000		1
29	1532A	5	TERMINAL BOARD (V71785) 306-9032-000		1
	546-2149-000	5	METER KIT		1
30	5690	6	MILLIAMMETER,DC (V55026) 458-0484-000 M202		1
31	5687	6	MILLIAMMETER,DC (V55026) 458-0483-000 M201		1
32	1520A	6	TERMINAL BOARD (V71785) 306-9033-000		1
33	HP6N	4	CLAMP,LOOP (V09922) 150-1543-000		1
34	544-6997-003	4	PANEL,FRONT		1
35	544-6873-000	2	CABINET SUBASSEMBLY,POWER AMPLIFIER (SEE FIG 6-2)		1

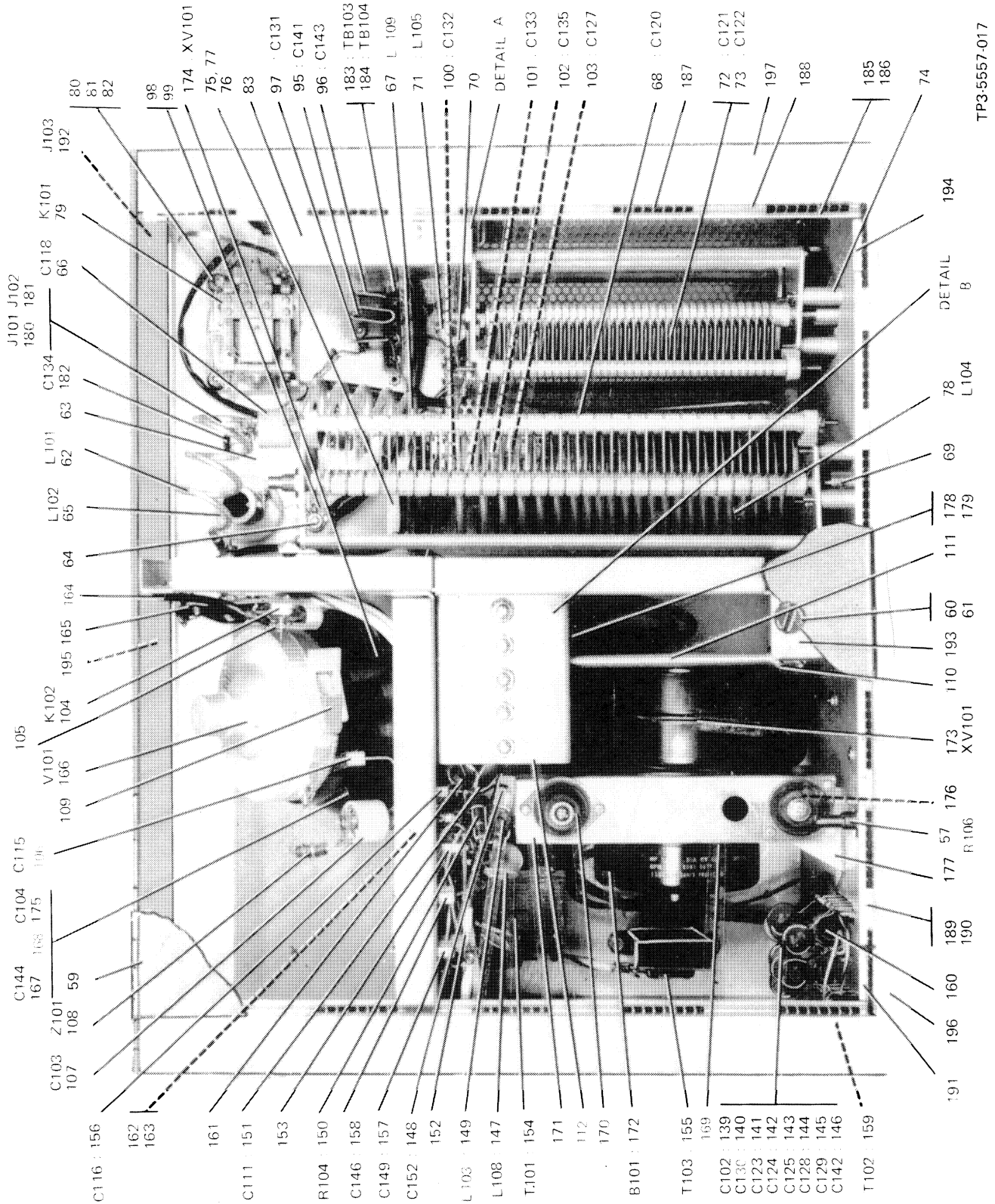
GROUP ASSEMBLY PARTS LIST



TP3-5557-0 7

Power Amplifier Cabinet Subassembly
Figure 6-2 (Sheet 1 of 3)

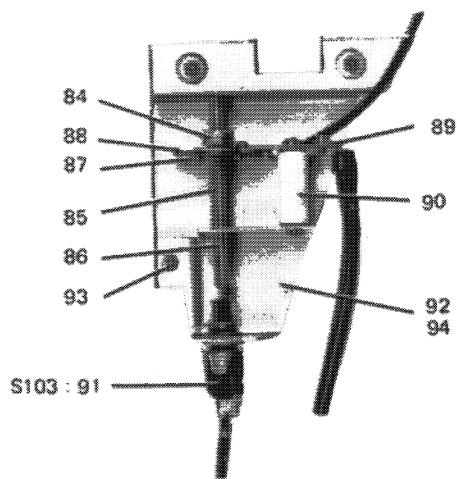
GROUP ASSEMBLY PARTS LIST



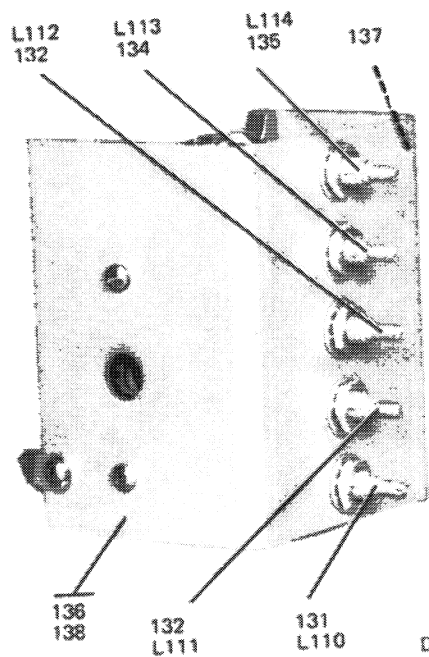
Power Amplifier Cabinet Subassembly
Figure 6-2 (Sheet 2)

TP3-5557-017

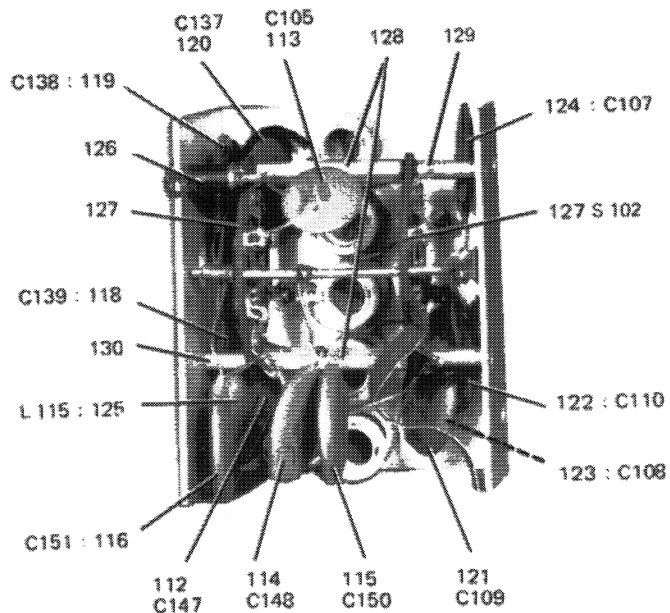
GROUP ASSEMBLY PARTS LIST



DETAIL A



DETAIL 8



TP3-5557-017

Power Amplifier Cabinet Subassembly
Figure 6-2 (Sheet 3)

section 6
parts list

GROUP ASSEMBLY PARTS LIST

FIG - ITEM	PART NO	INDENT	DESCRIPTION	USABLE ON CODE	UNITS PER ASSY
6-2 -	544-6873-000	1	CABINET SUBASSEMBLY, POWER AMPLIFIER (SEE FIG 6-1-35 FOR NHA)		REF
1	544-6954-002	2	DISC, DIAL		1
2	544-6952-002	2	HUB, DIAL		1
3	544-6953-002	2	DISC, DIAL		1
4	544-6952-002	2	HUB, DIAL		1
5	95861AH	2	DETENT, SW (V76854) 269-2037-000		1
	502-1515-002	2	WASHER, FLAT (AP)		2
6	544-6944-002	2	PLATE, FRONT		1
7	M916562-201	3	PIN, SPR, SST, 0.078 DIA X 3/8 (V96906) 311-0357-000		1
8	F346-4MILL6085	3	BEARING, SLV (V12204) 309-0124-000		1
9	544-6941-002	3	PLATE, FRONT		1
10	544-6949-002	2	PULLEY, DRIVE		2
11	544-6932-002	3	HUB, PULLEY		2
12	SP2-15	3	PULLEY, GROOVE (V94635) 281-0057-000		2
13	544-6967-002	2	COLLAR, SHAFT		2
14	544-6931-002	2	SHAFT, DIAL		2
15	544-6964-002	2	DRUM, TUNING		1
16	544-6962-002	2	DRUM, LOADING		1
17	544-6945-002	2	PLATE, REAR		1
18	540-9468-003	2	POST		3
19	544-6929-002	2	BLOCK, CHASSIS		2
20	M915571-2	2	LAMP, INCAND (V96906) 262-3240-000 DS201 , DS203		2
21	4159-043	2	LAMPHOLDER (V72765) 262-1210-000		2
22	544-6965-002	2	DUCT, WIRING		1
23	544-6937-002	2	SHAFT, SWITCH		1
24	544-6967-002	2	COLLAR, SHAFT		2
25	544-6949-002	2	PULLEY, DRIVE		1
26	544-6932-002	3	HUB, PULLEY		1
27	SP2-15	3	PULLEY, GROOVE (V94635) 281-0057-000		1
28	544-6979-002	2	BRACKET, SWITCH		1
29	544-6980-002	2	BRACKET, ANGLE		1
30	F346-4MILL6085	2	BEARING, SLV (V12204) 309-0124-000		1
31	CL632-2C	2	NUT, PLAIN, CD PL STL, 6-32 (V46384) 334-0066-000		2
32	544-6946-002	2	COUPLER, SHAFT		1
33	544-6938-002	3	SHAFT, BEARING		1
34	SP3-22	3	PULLEY, GROOVE (V94635) 281-0054-000		1
35	544-6934-002	3	COUPLER, SHAFT		1
36	545-7601-002	2	BRACKET, SWITCH		1
37	F347-4MILL6085	3	BEARING, SLV (V12204) 309-0125-000		1
38	545-7600-002	3	BRACKET, SWITCH		1
39	544-6899-002	2	PULLEY, SWITCH		1
40	544-6898-002	3	HUB, PULLEY		1
41	SP2-15	3	PULLEY, GROOVE (V94635) 281-0057-000		1
42	544-6942-002	2	BRACKET, LOADING		1
43	F346-4MILL6085	2	BEARING, SLV (V12204) 309-0124-000		1
44	544-6971-002	2	BRACKET, LOADING		1
45	544-6947-002	2	COUPLER, SHAFT		1
46	544-6938-002	3	SHAFT, BEARING		1
47	SP4-28	3	PULLEY, GROOVE (V94635) 281-0019-000		1
48	544-6935-002	3	COUPLER, SHAFT		1
49	544-6943-002	2	BRACKET, LOADING		1
50	F346-4MILL6085	3	BEARING, SLV (V12204) 309-0124-000		1
51	544-6972-002	3	BRACKET, LOADING		1
52	544-6948-002	2	COUPLER, SHAFT		1
53	544-6938-002	3	SHAFT, BEARING		1
54	SP4-28	3	PULLEY, GROOVE (V94635) 281-0019-000		1
55	544-6936-002	3	COUPLER, SHAFT		1
56	376-3275-000	2	RESISTOR, VAR, CMPSN, 100K, 20%, 1/2W, 3/4SFT (V12697) 376-3275-000 R105 (REPLACE WITH 376-3010-000)		1

GROUP ASSEMBLY PARTS LIST

FIG - ITEM	PART NO	INDENT	DESCRIPTION	USABLE ON CODE	UNITS PER ASSY
6-2	56	CM37371-3010	2 RESISTOR,VAR, 100K, 20%, 1/2W (V12697) 376-3010-000 R105 (REPLACES 376-3275-000)		1
	57	RA20SASD501A	2 RESISTOR,VAR,WW 500 OHMS, 10%, 2W (V81349) 750-0510-000 R106		1
	58	1775	2 TERMINAL BOARD (V71785) 306-0035-000 TB101		1
	58A	1775	2 TERMINAL BOARD (V71785) 306-0035-000 TB102		1
	59	544-7024-005	2 COVER ASSY,BACK		1
	60	G055-93	2 EYELET,TURNLOCK (V75618) 012-1299-000		1
	61	85-11-080-17	2 STUD,TURNLOCK, FSTNR, CD PL STL, 0.290 DIA X 0.525 (V94222) 012-1302-000		1
	62	544-6950-002	2 COIL L101		1
	63	544-7037-002	2 STRAP NO.2		1
	64	540-9250-003	2 POST		1
	65	540-7979-000	2 CHOKE,RF L102		1
	66	DA858-003	2 CAPACITOR,FXD, CER DIEL, 1000PF, 20%, 5000V (V71590) 913-0101-000 C118		1
	67	544-6900-002	2 CHOKE,RF L109		1
	68	154-16	2 CAPACITOR,VAR, AIR DIEL, 36 TO 229PF (V71313) 920-0137-000 C120		1
	69	544-6928-002	2 POST SPACER		1
	70	540-7036-002	2 GEAR,SYNCHRO		1
	71	49966	COIL,RF, 44MH (V45722) 240-0137-000 L105		1
	72	154-32	2 CAPACITOR,VAR, AIR DIEL, 29 TO 700PF (V71313) 920-0140-000 C121		1
	73	154-32	2 CAPACITOR,VAR, AIR DIEL, 29 TO 700PF (V71313) 920-0140-000 C122		1
	74	544-6928-002	2 POST,SPACER		6
	75	544-6896-002	2 BRACKET,SWITCH		1
	76	544-6995-003	2 SHAFT ASSY		1
	77	545-7825-003	2 SWITCH ASSY, BAND S104		1
	78	545-7604-003	2 COIL TUNING L104		1
	79	970-1922-000	2 RELAY,AMT (V29238) 970-1922-000 K101		1
	80	541-5979-002	2 SPACER,SLEEVE		4
	81	M335489-4	2 GROMMET,RBR (V96906) 201-0001-000		4
	82	544-7003-000	2 ISOLATOR,RELAY		1
	83	544-6879-000	2 INTERLOCK ASSY		1
	84	544-6967-002	3 COLLAR,SHAFT		1
	85	544-6922-002	3 SPRING ,SHORTING SWITCH		1
	86	544-6924-002	3 SHAFT,INTERLOCK		1
	87	544-6926-002	3 ISULATOR,SWITCH		1
	88	544-6925-002	3 DISC,SHORTING		1
	89	544-6919-002	3 PLATE		1
	90	E1001	3 INSULATOR,STDF (V70371) 190-1151-000		1
	91	8411K11	3 SWITCH,PUSH (V27193) 260-2548-000 S103		1
	92	544-6990-003	3 BRACKET ,INTERLOCK		1
	93	68NC3-40	4 NUT,SLFLKG, AL, 4-40 (V72962) 333-0199-000		1
	94	544-6989-003	4 BRACKET ,INTERLOCK		1
	95	36C175A	2 CAPACITOR,FXD, CER DIEL, 10000PF, 20%, 500V (V56289) 913-3013-000 C141		1
	96	DD60-152	2 CAPACITOR,FXD, CER DIEL, 0.0015UF, 20%, 6000V (V71590) 913-3539-000 C143		1
	97	36C175A	2 CAPACITOR,FXD, CER DIEL, 10000PF, 20%, 500V (V56289) 913-3013-000 C131		1
	98	X896	2 INSULATOR,BSHG (V71590) 190-1127-000		1
	99	X100	2 INSULATOR,BSHG (V71590) 190-1123-000		1
	100	CK12BX102M	2 CAPACITOR,FXD, CER DIEL, 1000PF, 20%, 100V (V81349) 913-3019-000 C132		1
	101	36C175A	2 CAPACITOR,FXD, CER DIEL, 10000PF, 20%, 500V (V56289) 913-3013-000 C133		1
	102	36C175A	2 CAPACITOR,FXD, CER DIEL, 10000PF, 20%, 500V (V56289) 913-3013-000 C135		1

section 6
parts list

GROUP ASSEMBLY PARTS LIST

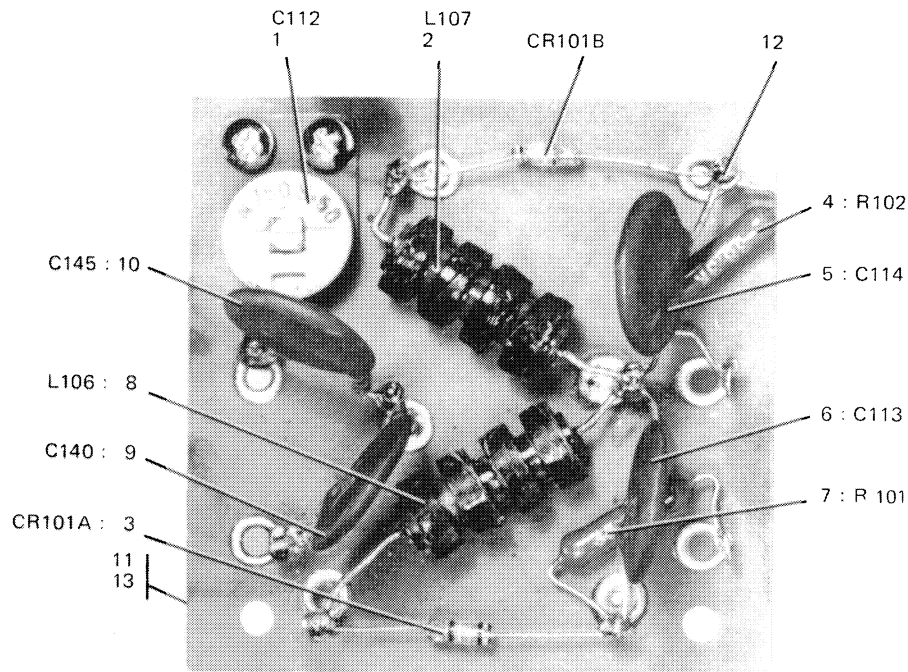
FIG - ITEM	PART NO	INDENT	DESCRIPTION	USABLE ON CODE	UNITS PER ASSY
6-2 103	0060-152	2	CAPACITOR,FXD, CER DIEI, 0.0015UF, 20%, 6000V (V71590) 913-3539-000 C127		1
104	545-3120-004	2	SWITCH,THERMAL K102		1
105	545-3119-003	2	BRACKET,HINGE		1
106	913-3703-000	2	CAPACITOR,FXD, CER DIEI, 1PF, 25%, 5000V 913-3703-000 C115		1
107	850552	2	CAPACITOR,FXD, CER DIEI, 5PF, 5%, 5000V (V71590) 913-0840-000 C103		1
108	544-6876-000	2	SUPPRESSOR ,PARASITIC Z101		1
109	544-6927-002	2	CLAMP,TUBE		1
110	544-6939-002	2	COUPLER,SWITCH		1
111	544-6933-002	2	SHAFT,SWITCH		1
112	544-6877-000	2	INPUT ASSY		1
113	36C175A	3	CAPACITOR,FXD, CER DIEI, 10000PF, 20%, 500V (V56289) 913-3013-000 C105		1
114	913-3587-000	3	CAPACITOR,FXD, CER DIEI, 1000PF, 5%, 1000V (V71590) 913-3587-000 C148 (REPLACE WITH 913-1292-000)		1
114	327-029X5T0102Z	3	CAPACITOR,FXD, CER DIEI, 1000PF, M20%P80%, 500V (V72982) 913-1292-000 C148 (REPLACES 913-3587-000)		1
115	913-3589-000	3	CAPACITOR,FXD, CER DIEI, 560PF, 5%, 1000V (V71590) 913-3589-000 C150		1
116	913-3589-000	3	CAPACITOR,FXD, CER DIEI, 560PF, 5%, 1000V (V71590) 913-3589-000 C151		1
117	913-3588-000	3	CAPACITOR,FXD, CER DIEI, 650PF, 5%, 1000V (V71590) 913-3588-000 C147 (REPLACE WITH 912-2989-000) /B5/		1
117	CM06FD681J03	3	CAPACITOR,FXD, CER DIEI, 680PF, 5%, 500V (V81349) 912-2989-000 C147 (REPLACES 913-3588-000) /B5/		1
118	913-3582-000	3	CAPACITOR,FXD, CER DIEI, 220PF, 5%, 1000V (V71590) 913-3582-000 C139		1
119	913-3581-000	3	CAPACITOR,FXD, CER DIEI, 180PF, 5%, 2000V (V71590) 913-3581-000 C138		1
120	913-3579-000	3	CAPACITOR,FXD, CER DIEI, 91PF, 5%, 2000V (V71590) 913-3579-000 C137		1
121	913-3585-000	3	CAPACITOR,FXD, CER DIEI, 510PF, 5%, 1000V (V71590) 913-3585-000 C109		1
122	913-3586-000	3	CAPACITOR,FXD, CER DIEI, 820PF, 5%, 1000V (V71590) 913-3586-000 C110		1
123	913-3572-000	3	CAPACITOR,FXD, CER DIEI, 110PF, 5%, 1000V (V71590) 913-3572-000 C108		1
124	913-3579-000	3	CAPACITOR,FXD, CER DIEI, 91PF, 5%, 2000V (V71590) 913-3579-000 C107 (REPLACE WITH 913-3581-000)		1
124	913-3581-000	3	CAPACITOR,FXD, CER DIEI, 180PF, 5%, 2000V (V71590) 913-3581-000 C107 (REPLACES 913-3579-000)		1
125	545-7814-000	3	COIL L115		1
126	2A10815	3	TERMINAL STDF (V92825) 306-0234-000		1
127	94111AH	3	SWITCH SECT,RTR (V76854) 269-2036-000 S102		2
128	540-9057-003	3	POST		2
129	541-5974-002	2	SPACER,SLEEVE		2
130	541-5970-002	3	SPACER,SLEEVE		2
131	544-6999-003	3	COIL NO 2 L110		1
132	544-6998-003	3	COIL NO 1 L111 (REPLACE WITH 790-1645-001)		1
132	790-1645-001	3	COIL NO 1 L111 (REPLACES 544-6998-003)		1
133	544-7002-003	3	COIL NO 5 L112		1
134	544-7001-003	3	COIL NO 4 L113		1
135	544-7000-003	3	COIL NO 3 L114		1
136	544-7008-003	3	BRACKET,SWITCH		1
137	CL632-2C	4	NUT,PLAIN, CD PL STL, 6-32 (V46384) 334-0066-000		2

GROUP ASSEMBLY PARTS LIST

FIG - ITEM	PART NO	INDENT	DESCRIPTION	USABLE ON CODE	UNITS PER ASSY
6-2	138	544-7007-003	4 BRACKET, SWITCH		1
	139	36C175A	2 CAPACITOR, FXD, CER DIEL, 10000PF, 20%, 500V (V56289) 913-3013-000 C102		1
	140	36C175A	2 CAPACITOR, FXD, CER DIEL, 10000PF, 20%, 500V (V56289) 913-3013-000 C130		1
	141	36C175A	2 CAPACITOR, FXD, CER DIEL, 10000PF, 20%, 500V (V56289) 913-3013-000 C123		1
	142	36C175A	2 CAPACITOR, FXD, CER DIEL, 10000PF, 20%, 500V (V56289) 913-3013-000 C124		1
	143	36C175A	2 CAPACITOR, FXD, CER DIEL, 10000PF, 20%, 500V (V56289) 913-3013-000 C125		1
	144	36C175A	2 CAPACITOR, FXD, CER DIEL, 10000PF, 20%, 500V (V56289) 913-3013-000 C128		1
	145	36C175A	2 CAPACITOR, FXD, CER DIEL, 10000PF, 20%, 500V (V56289) 913-3013-000 C129		1
	146	36C175A	2 CAPACITOR, FXD, CER DIEL, 10000PF, 20%, 500V (V56289) 913-3013-000 C142		1
	147	9348	2 COIL, RF, 2MH (V24226) 240-0134-000 L108		1
	148	DM15C150K500WV4C R	2 CAPACITOR, FXD, MICA DIEL, 15PF, 10%, 500V (V72136) 912-2760-000 C152		AR
	148	DM15E220K500WV4C R	2 CAPACITOR, FXD, MICA DIEL, 22PF, 10%, 500V (V72136) 912-2769-000 C152		AR
	148	DM15E270K500WV4C R	2 CAPACITOR, FXD, MICA DIEL, 27PF, 10%, 500V (V72136) 912-2775-000 C152		AR
	148	DM15E390K500WV4C R	2 CAPACITOR, FXD, MICA DIEL, 39PF, 10%, 500V (V72136) 912-2787-000 C152		AR
	148	DM15E470K500WV4C R	2 CAPACITOR, FXD, MICA DIEL, 47PF, 10%, 500V (V72136) 912-2793-000 C152		AR
	149	240-0191-000	2 COIL, RF, 56UH (V82142) 240-0191-000 L103 (REPLACE WITH 240-1624-000)		1
	149	M975103-6	2 COIL, RF, 56UH (V96906) 240-1624-000 L103 (REPLACES 240-0191-000)		1
	150	RCR32G102KS	2 RESISTOR, FXD, CMPSN, 1K, 10%, 1W (V81349) 745-3352-000 R104		1
	151	DM15C050D500WV4C R	2 CAPACITOR, FXD, MICA DIEL, 5PF, 0.5PF, 500V (V72136) 912-2751-000 C111		1
	152	544-6883-000	2 BOARD ASSY, TERMINAL (SEE FIG 6-3)		1
	153	540-9168-003	2 POST		1
	154	27370	2 TRANSFORMER, PWR (V80089) 662-0354-000 T101		1
	155	E13768	2 TRANSFORMER, PWR (V80008) 662-0427-000 T103		1
	156	2443-000X5T0151K	2 CAPACITOR, FXD, CER DIEL, 150PF, 10%, 500V (V72982) 913-3705-000 C116		1
	157	327-029X5T0102Z	2 CAPACITOR, FXD, CER DIEL, 1000PF, M20%P80%, 500V (V72982) 913-1292-000 C149		1
	158	327-029X5T0102Z	2 CAPACITOR, FXD, CER DIEL, 1000PF, M20%P80%, 500V (V72982) 913-1292-000 C146		1
	159	E13660	2 TRANSFORMER, AF (V80008) 667-0344-000 T102		1
	160	HP4N	2 CLAMP, LOOP (V09922) 150-1541-000		1
	161	544-7038-002	2 STRAP		1
	162	XI640	2 INSULATOR, BSHG (V71590) 190-1121-000		1
	163	X830	2 INSULATOR, BSHG (V71590) 190-1125-000		1
	164	18A18697	2 TERMINAL BOARD (V71785) 306-0168-000		1
	165	544-6894-002	2 PLATE, INSULATOR		1
	166	4X25080R4CX250B	2 ELECTRON TUBE (V08594) 256-0123-000 V101		1
	167	36C175A	2 CAPACITOR, FXD, CER DIEL, 10000PF, 20%, 500V (V56289) 913-3013-000 C144		1
	168	544-7004-003	2 DUCT, AIR		1
	169	544-6871-000	2 BLOWER ASSY		1
	170	106PDL2	3 MOUNT, RESILIENT (V76005) 200-1449-000		3
	171	544-6986-003	3 BRACKET, BLOWER MOUNTING		1
	172	82132-0032	3 FAN, CNTFGL (V23452) 009-1407-000 B101		1
	173	544-6985-003	2 DUCT AIR		1
	174	Y131A	2 SOCKET, ELECTRON (V06980) 220-1341-000 XV101		1

GROUP ASSEMBLY PARTS LIST

FIG - ITEM	PART NO	INDENT	DESCRIPTION	USABLE ON CODE	UNITS PER ASSY
6-2 - 175	913-3538-000	2	CAPACITOR,FXD, CER DIEI, 220PF, 5%, 1000V 913-3538-000 C104		1
176	544-6887-000	2	BRACKET,BLOWER		1
177	544-6890-002	2	BRACKFT,BLOWER		1
178	RG58CU	2	CABLE,RF (V80058) 425-0042-000		1
179	HP8N	2	CLAMP,LOOP (V09922) 150-1545-000		1
180	201-11-01-018	2	JACK,PHONO (V71785) 360-0088-000 J101		1
181	201-11-01-018	2	JACK,PHONO (V71785) 360-0088-000 J102		1
182	DM15F330K500WV4C R	2	CAPACITOR,FXD, MICA DIEI, 33PF, 10%, 500V (V72136) 912-2781-000 C134		1
183	1774	2	TERMINAL BOARD (V71785) 306-0034-000 TB103		1
184	1774	2	TERMINAL BOARD (V71785) 306-0034-000 TB104		1
185	544-6892-002	2	STRIP,HOLD DOWN		2
186	544-6893-002	2	STRIP,HOLD DOWN		2
187	545-9118-002	2	PLATE,NUT		10
188	544-6891-002	2	TAB,GROUNDING		10
189	544-6921-002	2	STRIP,BACKING		1
190	544-6920-002	2	STRIP,BACKING		1
191	544-6891-002	2	TAB,GROUNDING		7
192	M39012-04-0002	2	CONNECTOR,RCPT, ELEC (V81349) 357-9003-000 J103		1
193	544-6977-002	2	BRACKET,LATCH		1
194	544-6974-002	2	BRACKET,STOP		2
195	544-6975-002	2	RUMPER		1
196	544-7030-006	2	FRAME,CABINET		1
197	544-7032-006	2	CAPINET,UPPER		1



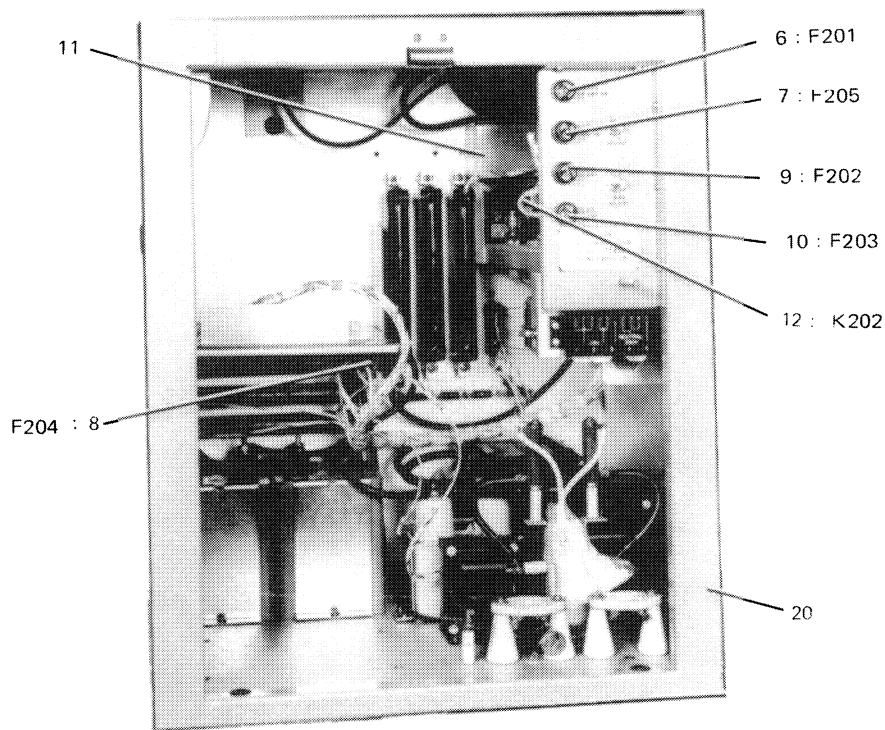
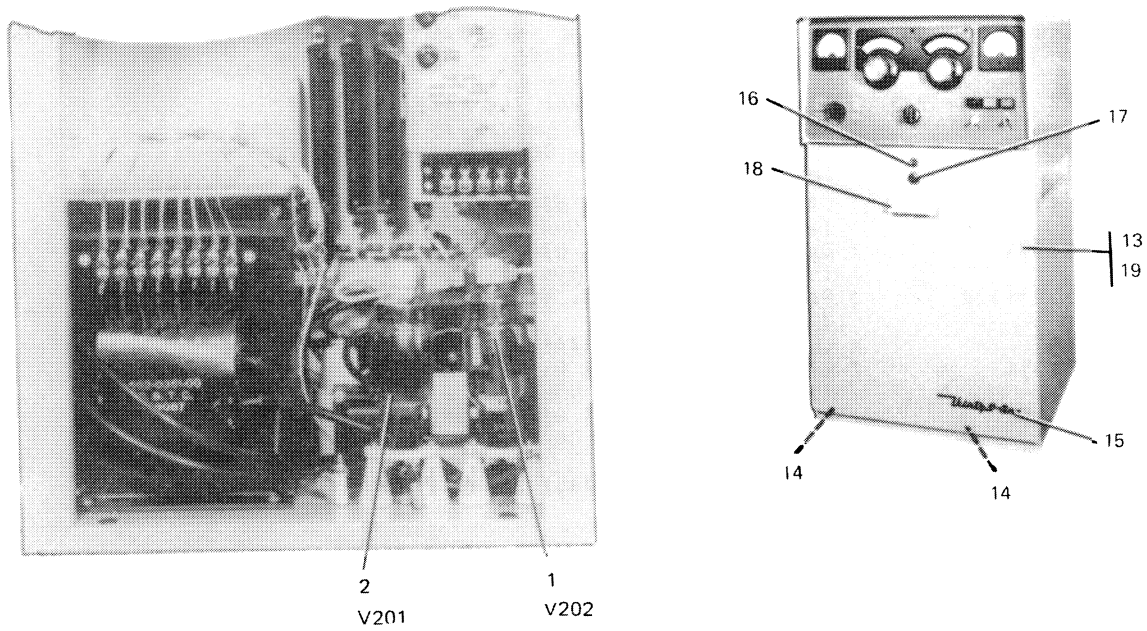
TP3-5556-017

Terminal Board Assembly
Figure 6-3

GROUP ASSEMBLY PARTS LIST

FIG - ITEM	PART NO	INDENT	DESCRIPTION	USABLE ON CODE	UNITS PER ASSY
6-3 -	544-6883-000	1	BOARD ASSY ,TERMINAL (SEE FIG 6-2-152 FOR NHA)		REF
1	557-018-8-50E	2	CAPACITOR,VAR, CER DIEL, 8 TO 75PF, 350V (V72982) 917-1075-000 C112		1
2	9348	2	COIL,RF, 2MH (V24226) 240-0134-000 L107		1
3	544-6886-000	2	SEMICOND DEVICE ,MATCHED PAIR CR101A,CR101B		1
4	RN65D3832F	2	RESISTOR,FXD, FILM, 38.3K, 1%, 1/2W (V81349) 705-7172-000 R102		1
5	36C175A	2	CAPACITOR,FXD, CER DIEL, 10000PF, 20%, 500V (V56289) 913-3013-000 C114		1
6	36C175A	2	CAPACITOR,FXD, CER DIEL, 10000PF, 20%, 500V (V56289) 913-3013-000 C113		1
7	RN65D3832F	2	RESISTOR,FXD, FILM, 38.3K, 1%, 1/2W (V81349) 705-7172-000 R101		1
8	9348	2	COIL,RF, 2MH (V24226) 240-0134-000 L106		1
9	36C175A	2	CAPACITOR,FXD, CER DIEL, 10000PF, 20%, 500V (V56289) 913-3013-000 C140		1
10	36C175A	2	CAPACITOR,FXD, CER DIEL, 10000PF, 20%, 500V (V56289) 913-3013-000 C145		1
11	544-6970-002	2	TERMINAL BOARD		1
12	491-32-11-080-93	3	TERMINAL,LUG (V71785) 304-0011-000		10
		3			
13	544-6969-002	3	TERMINAL BOARD		1

GROUP ASSEMBLY PARTS LIST



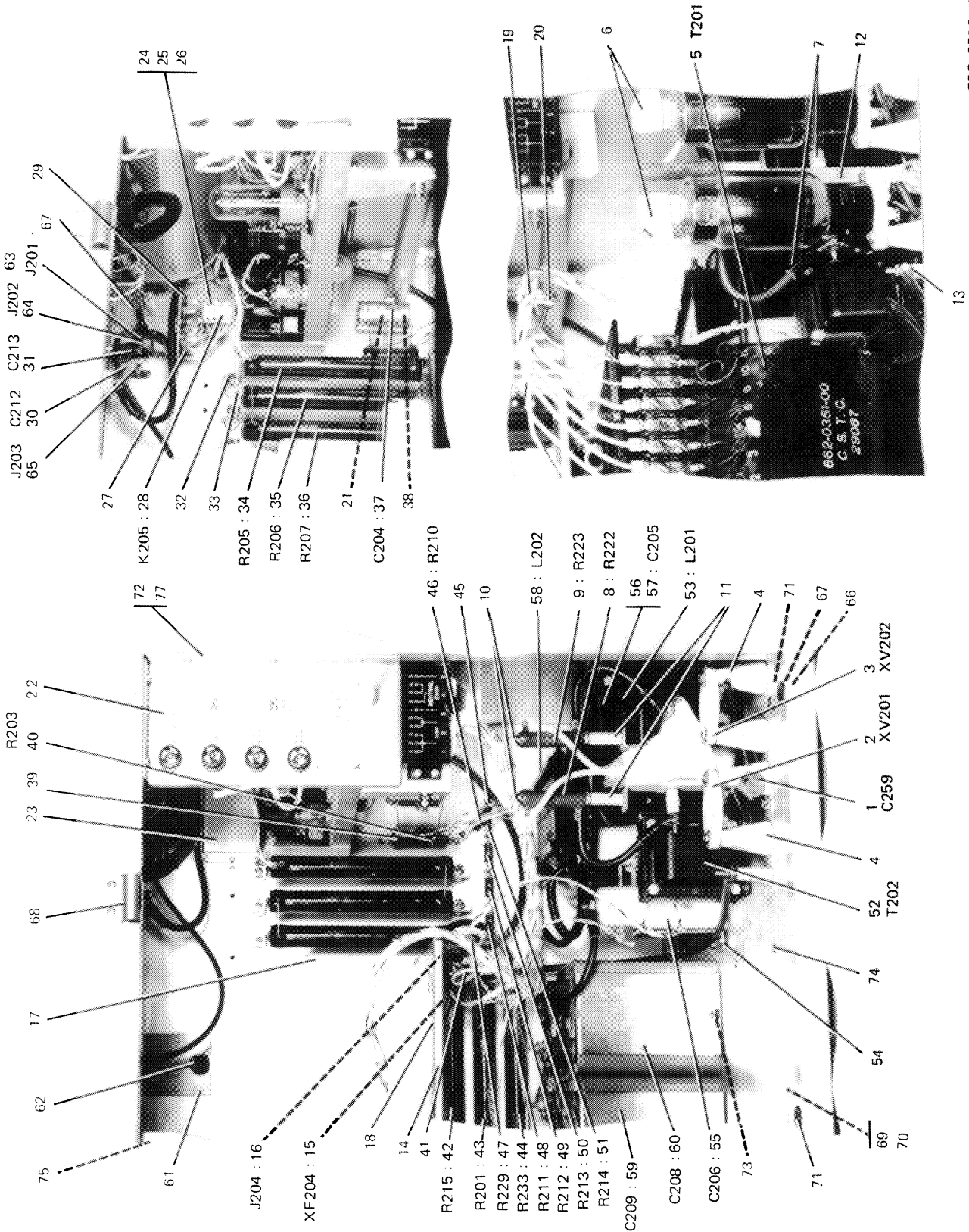
TP3-5552-017

Power Supply Cabinet Assembly
Figure 6-4

GROUP ASSEMBLY PARTS LIST

FIG - ITEM	PART NO	INDENT	DESCRIPTION	USABLE ON CODE	UNITS PER ASSY
6-4 -	NO NUMBER		1 CABINET ASSY POWER SUPPLY (SEE FIG 6-1-1 FOR NHA)		REF
1	3B28		2 ELECTRON TUBE (V86684) 256-0096-000 V201		1
2	3B28		2 ELECTRON TUBE (V86684) 256-0096-000 V202		1
6	MDX3 2-10		2 FUSE,CRTG (V71400) 264-0216-000 F201		1
7	F02B250V1AS		2 FUSE,CRTG (V81349) 264-4280-000 F205		1
8	ABC8		2 FUSE,CRTG (V71400) 264-0395-000 F204		1
9	ABC12		2 FUSE,CRTG (V71400) 264-0397-000 F202 (REPLACE WITH 264-0912-340)		1
9	MDA15		2 FUSE,CRTG (V71400) 264-0912-340 F202 (REPLACES 264-0397-000)		1
10	ABC12		2 FUSE,CRTG (V71400) 264-0397-000 F203 (REPLACE WITH 264-0912-340)		1
10	MDA15		2 FUSE,CRTG (V71400) 264-0912-340 F203 (REPLACES 264-0397-000)		1
11	544-7006-003		2 COVER,RELAY		1
12	R2133		2 RELAY,THRM (V19500) 402-0331-000 K202		1
13	544-6872-000		2 DOOR ASSY		1
14	544-5439-002		2 PIN,LOCATER		2
15	280-2900-000		2 EMBLEM,DIF CAST 280-2900-000		1
16	280-3422-00		2 INSIGNIA (VA1334) 280-3422-000		1
17	02068 1-2 7-8		2 LOCK,RIM (V14608) 015-0811-000		1
18	544-6897-002		2 HANDLE,DOOR		1
19	544-7028-005		2 DOOR,CABINET		1
20	544-6874-000		2 CABINET SUBASSEMBLY,POWER SUPPLY (SEE FIG 6-5)		1

GROUP ASSEMBLY PARTS LIST



TP3-5555-017

Power Supply Cabinet Subassembly
Figure 6-5

GROUP ASSEMBLY PARTS LIST

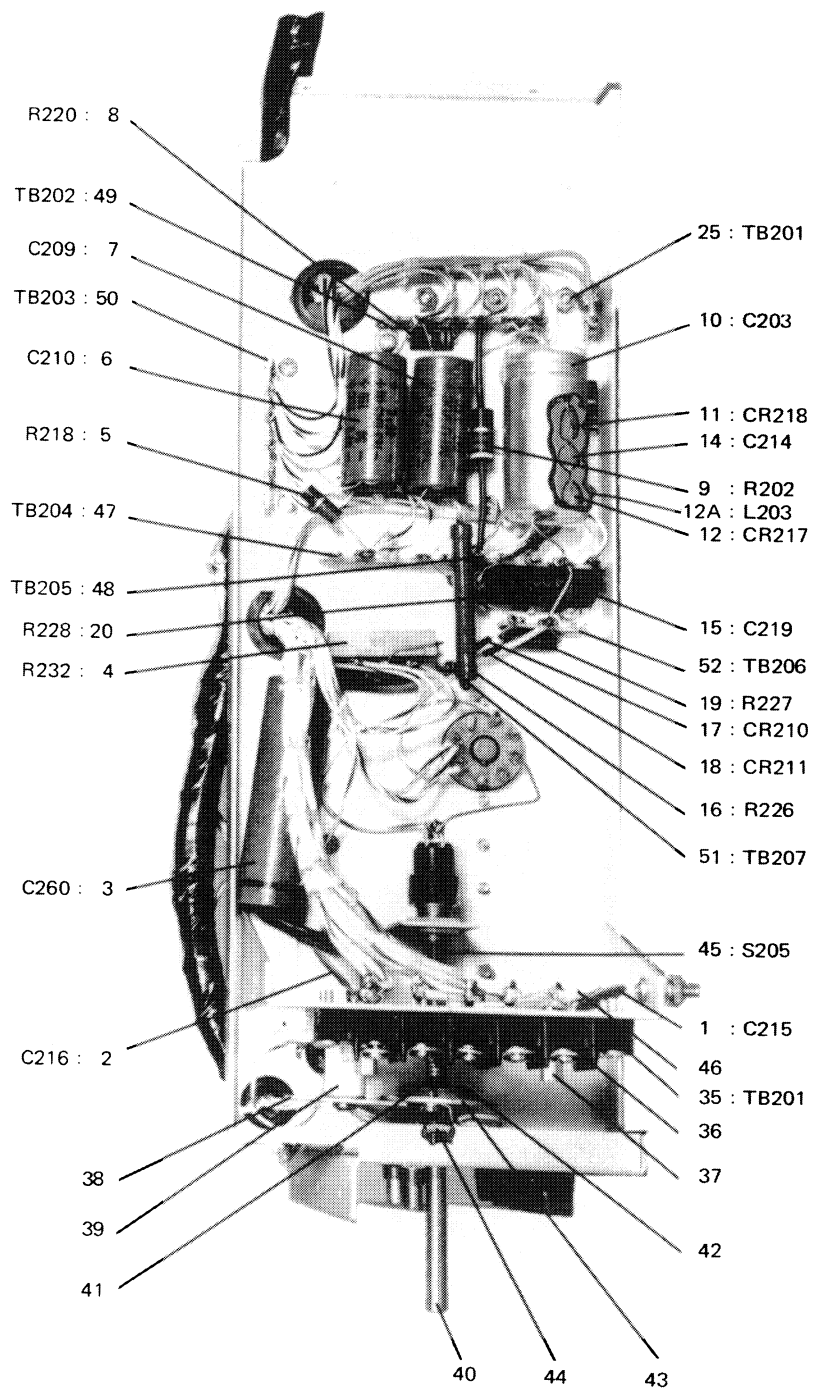
FIG - ITEM	PART NO	INDENT	DESCRIPTION	USABLE ON CODE	UNITS PER ASSY
6-5 -	544-6874-000	1	CABINET SUBASSEMBLY, POWER SUPPLY (SEE FIG 6-4-20 FOR NHA)		REF
1	DD60-152	2	CAPACITOR, FXD, CER DIEL, 0.0015UF, 20%, 6000V (V71590) 913-3539-000 C259		1
2	122-224-200	2	SOCKET, ELECTRON (V74970) 220-5450-000 XV201		1
3	122-224-200	2	SOCKET, ELECTRON (V74970) 220-5450-000 XV202		1
4	NL422W20-012	2	INSULATOR, STDF (V81349) 190-0032-000		4
5	A15178	2	TRANSFORMER, PWR (V70674) 662-0351-000 T201		1
6	SPP9	2	CLIP, ELEC (V42498) 301-1005-000		2
7	E1704	2	INSULATOR, STDF (V70371) 190-1143-000		2
8	RW32G100	2	RESISTOR, FXD, WW 10 OHMS, 5%, 12W (V81349) 747-1114-000 R222		1
9	RW32G100	2	RESISTOR, FXD, WW 10 OHMS, 5%, 12W (V81349) 747-1114-000 R223		1
10	PO15-0554-000	2	POST, MTG, RES (V77250) 015-0554-000		2
11	E1706	2	INSULATOR, STDF (V70371) 190-1144-000		2
12	544-9789-002	2	BRACKET, RESISTOR MOUNTING		1
13	E1706	2	INSULATOR, STDF (V70371) 190-1144-000		1
14	544-6882-000	2	SHELF ASSY		1
15	HMPHJRZZ	3	FUSEHOLDER (V71400) 265-1019-000 XF204		1
16	S2001	3	CONNECTOR, RCPT, ELEC (V81091) 368-0115-000 J204		1
17	544-6904-002	3	BRACKET, POWER SUPPLY		1
18	544-7015-004	3	SHELF, POWER SUPPLY		1
19	HP8N	2	CLAMP, LOOP (V09922) 150-1545-000		1
20	544-6965-002	2	DUCT, WIREING		1
21	3302	2	CLAMP, ELEC (V59730) 019-0099-000		1
22	544-6880-000	2	SHELF ASSY (SEE FIG 6-6)		1
23	544-6881-000	2	RELAY ASSY		1
24	544-6973-002	3	ISOLATOR, RELAY MOUNTING		1
25	M935489-4	3	GROMMET, RBR (V96906) 201-0001-000		4
26	541-5979-002	3	SPACER, SLEEVE		4
27	6881M81060A	3	GROMMET, RBR (V14370) 201-1140-000		1
28	KR2650	3	RELAY, AMT (V77342) 970-1925-000 K205		1
29	HP14N	2	CLAMP, LOOP (V09922) 150-1547-000		1
30	36C175A	2	CAPACITOR, FXD, CER DIEL, 10000PF, 20%, 500V (V56289) 913-3013-000 C212		1
31	36C175A	2	CAPACITOR, FXD, CER DIEL, 10000PF, 20%, 500V (V56289) 913-3013-000 C213		1
32	12	2	HOLDER, RES (V44655) 139-1500-000		6
33	E1000	2	INSULATOR, STDF (V70371) 190-1150-000		6
34	710-2133-000	2	RESISTOR, FXD, WW 18K, 10%, 100W (V83827) 710-2133-000 R205		1
35	710-2133-000	2	RESISTOR, FXD, WW 18K, 10%, 100W (V83827) 710-2133-000 R206		1
36	710-2133-000	2	RESISTOR, FXD, WW 18K, 10%, 100W (V83827) 710-2133-000 R207		1
37	D29076	2	CAPACITOR, FXD, ELCTLT, 40UF, M10%P100%, 350V (V56289) 183-1559-000 C204		1
38	E50007-041	2	RETAINER, CAP (V80033) 139-0089-000		1
39	9	2	BRACKET (V44655) 139-1900-000		2
40	710-3542-000	2	RESISTOR, FXD, WW 5K, 10%, 25W 710-3542-000 R203		1
41	12	2	HOLDER, RES (V44655) 139-1500-000		6
42	710-2026-000	2	RESISTOR, FXD, WW 8.2 OHMS, 10%, 100W (V83827) 710-2026-000 R215		1
43	710-2026-000	2	RESISTOR, FXD, WW 8.2 OHMS, 10%, 100W (V83827) 710-2026-000 R201		1
44	710-2026-000	2	RESISTOR, FXD, WW 8.2 OHMS, 10%, 100W (V83827) 710-2026-000 R233		1
45	E1706	2	INSULATOR, STDF (V70371) 190-1144-000		5
46	RCR42G102JS	2	RESISTOR, FXD, CMPSN, 1K, 5%, 2W (V81349) 745-5651-000 R210		1
47	RCR42G105JS	2	RESISTOR, FXD, CMPSN, 1MEGO, 5%, 2W (V81349) 745-5777-000 R229		1

section 6
parts list

GROUP ASSEMBLY PARTS LIST

FIG - ITEM	PART NO	INDENT	DESCRIPTION	USABLE ON CODE	UNITS PER ASSY
6-5 48	RCR42G105JS	2	RESISTOR,FXD, CMPSN, 1MEGO, 5%, 2W (V81349) 745-5777-000 R211		1
49	RCR42G105JS	2	RESISTOR,FXD, CMPSN, 1MEGO, 5%, 2W (V81349) 745-5777-000 R212		1
50	RCR42G105JS	2	RESISTOR,FXD, CMPSN, 1MEGO, 5%, 2W (V81349) 745-5777-000 R213		1
51	RCR42G105JS	2	RESISTOR,FXD, CMPSN, 1MEGO, 5%, 2W (V81349) 745-5777-000 R214		1
52	662-0352-000	2	TRANSFORMER,PWR (V11700) 662-0352-000 T202		1
53	E10629	2	REACTOR, 3.5H (V80008) 668-0356-000 L201		1
54	CP072FE1	2	RETAINER,CAP (V81349) 139-0191-000		2
55	930-0035-000	2	CAPACITOR,FXD, OIL PPR, 0.15UF, 10%, 5000V 930-0035-000 C206		1
56	CP072FA3	2	RETAINER,CAP (V81349) 139-0147-000		1
57	CP72E1EH504K1	2	CAPACITOR,FXD, CER DIEI, 0.5UF, 10%, 1500V (V81349) 962-4309-000 C205		1
58	37877	2	REACTOR, 8H (V73386) 668-0355-000 L202		1
59	930-4314-000	2	CAPACITOR,FXD, PPR DIEI, 4UF, 20%, 3000V (V10026) 930-4314-000 C207		1
60	930-4314-000	2	CAPACITOR,FXD, PPR DIEI, 4UF, 20%, 3000V (V10026) 930-4314-000 C208		1
61	544-6914-002	2	PLATE,COVER		1
62	913NEOPRENE45-55	2	GROMMET,RBR (V75543) 201-1090-000		1
63	201-11-01-018	2	JACK,PHONE (V71785) 360-0088-000 J201		1
64	201-11-01-018	2	JACK,PHONE (V71785) 360-0088-000 J202		1
65	201-11-01-018	2	JACK,PHONE (V71785) 360-0088-000 J203		1
66	1019W	2	BUMPER,RBR (V70485) 200-1204-000		4
67	544-6901-002	2	FOOT,CABINET		4
68	544-6903-002	2	CATCH,DOOR		1
69	545-7603-002	2	PLATE,RETAINER		2
70	504-0717-003	2	WASHER		2
71	M935489-6	2	GROMMET,RBR (V96906) 201-0002-000		2
72	544-7026-005	2	CABINET, AMPLIFIER		1
73	68NC3-82	3	NUT,SLFLKG, AL, 8-32 (V72962) 333-0211-000		18
74	CLS0420-1	3	NUT,SLFLKG, SST, 1/4-20 (V46384) 334-1161-000		4
75	P344-0072-000	3	SCREW,WOOD, NP BRS, 10 X 1-3/4 (V77250) 344-0072-000		12
76	P344-0066-000	3	SCREW,WOOD, CD PL STL, 10 X 1 (V77250) 344-0066-000		3
77	544-7025-005	3	CABINET, AMPLIFIER		1

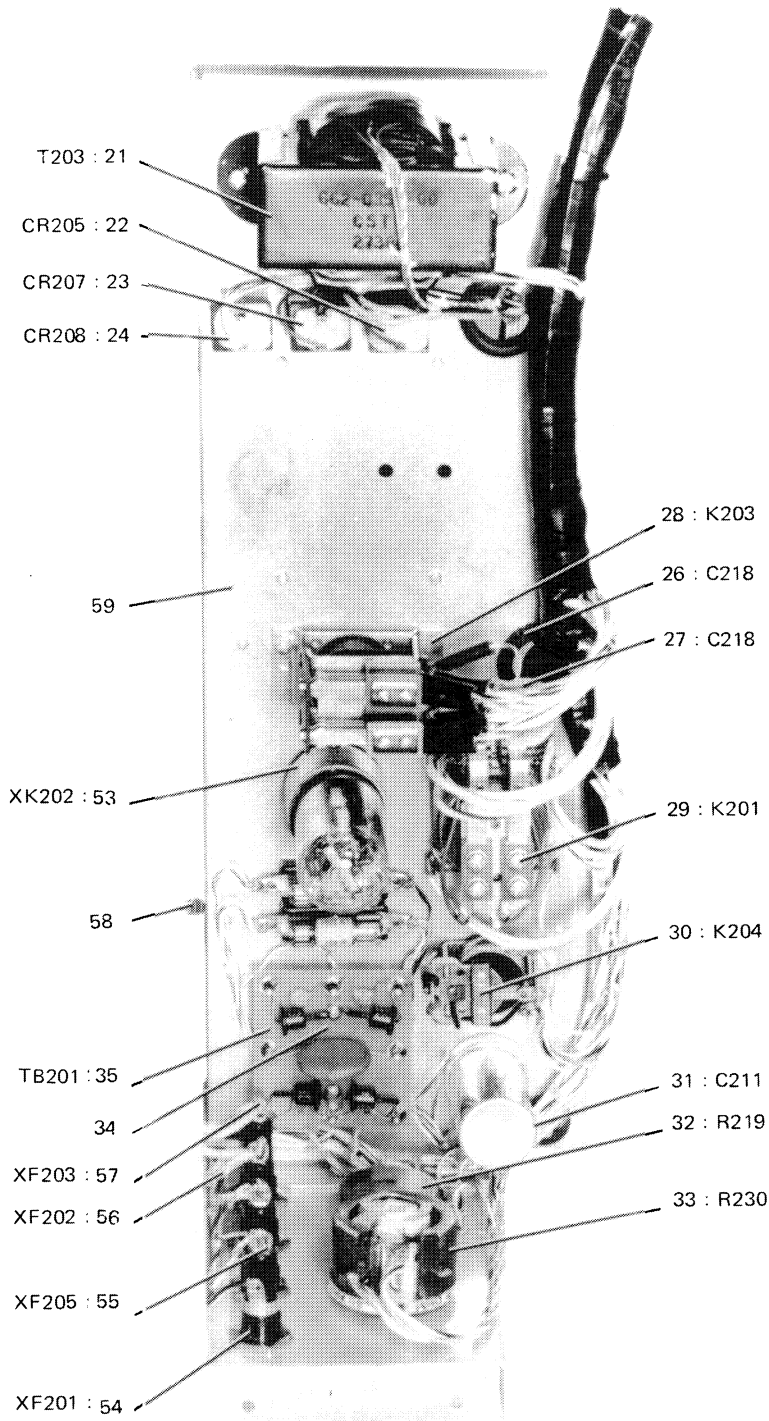
GROUP ASSEMBLY PARTS LIST



TP3-5554-027

Shelf Assembly
Figure 6-6 (Sheet 1 of 2)

GROUP ASSEMBLY PARTS LIST



TP3-5554-02 7

Shelf Assembly
Figure 6-6 (Sheet 2)

GROUP ASSEMBLY PARTS LIST

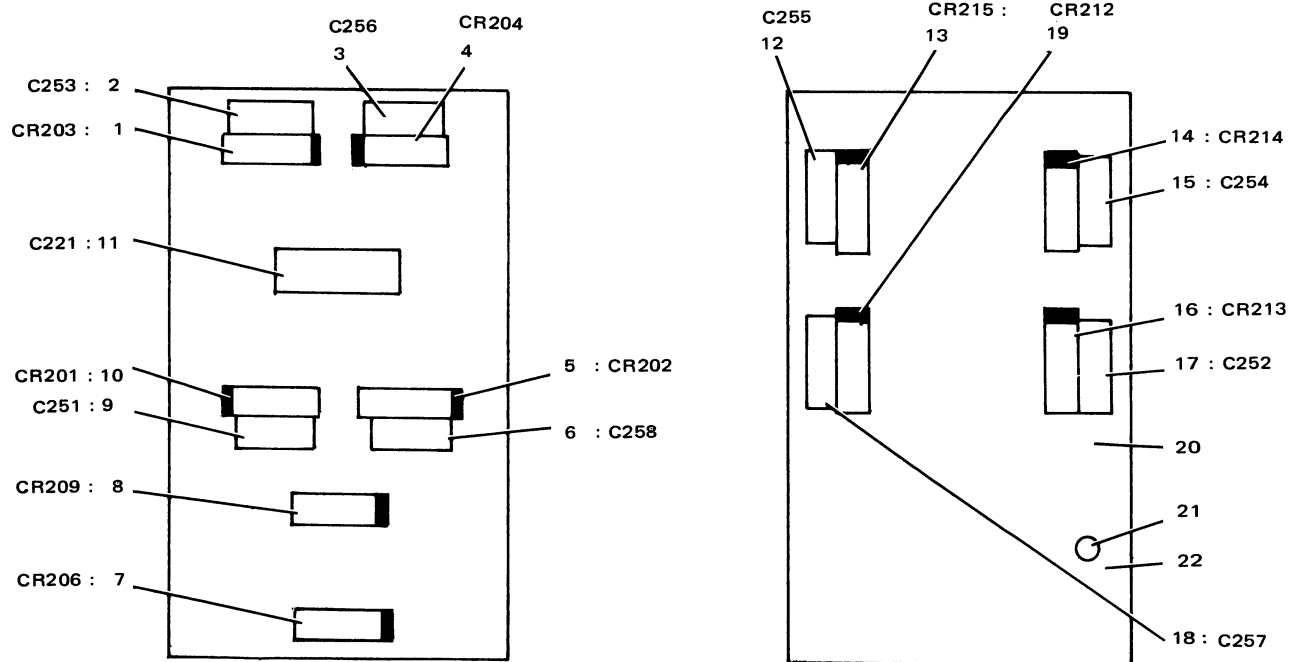
FIG - ITEM	PART NO	INDENT	DESCRIPTION	USABLE ON CODE	UNITS PER ASSY
6-6 -	544-6880-000		1 SHELF ASSY (SEE FIG 6-5-22 FOR NHA)		REF
1	36C175A		2 CAPACITOR,FXD, CER DIEI, 10000PF, 20%, 500V (V56289) 913-3013-000 C215		1
2	36C175A		2 CAPACITOR,FXD, CER DIEI, 10000PF, 20%, 500V (V56289) 913-3013-000 C216		1
3	D38238		2 CAPACITOR,FXD, ELCTLT, 2000 UF, M10%P100%, 6V (V56289) 183-1311-000 C260		1
4	RW31V100		2 RESISTOR,FXD,WW 10 OHMS, 5%, 14W (V81349) 747-0724-000 R232		1
5	RCR32G222KS		2 RESISTOR,FXD, CMPSN, 2.2K, 10%, 1W (V81349) 745-3366-000 R218		1
6	TC49		2 CAPACITOR,FXD, ELCTLT, 50UF, M10%P100%, 150V (V37942) 183-1045-000 C210		1
7	TC49		2 CAPACITOR,FXD, ELCTLT, 50UF, M10%P100%, 150V (V37942) 183-1045-000 C209		1
8	RCR32G332KS		2 RESISTOR,FXD, CMPSN, 3.3K, 10%, 1W (V81349) 745-3373-000 R220		1
9	RCR42G471KS		2 RESISTOR,FXD, CMPSN, 470 OHMS, 10%, 2W (V81349) 745-5638-000 R202		1
10	D29075		2 CAPACITOR,FXD, ELCTLT, 150UF, M10%P100%, 150V (V56289) 183-1560-000 C203		1
11	1N457		2 SEMICOND DEVICE CD PL STL, (V07910) 353-0204-000 CR218		1
12	1N457		2 SEMICOND DEVICE CD PL STL, (V07910) 353-0204-000 CR217		1
13	18-119		2 COIL,RF, 2MH (V09250) 240-0084-000 L203		1
14	36C175A		2 CAPACITOR,FXD, CER DIEI, 10000PF, 20%, 500V (V56289) 913-3013-000 C214		1
15	160P10494		2 CAPACITOR,FXD, PPR DIEI, 0.1UF, 400V, 10% (V56289) 931-0299-000 C219 (REPLACE WITH 933-0643-000)		1
15	6IP40DA104		2 CAPACITOR FXD, FILM DIEI, 0.10UF, 10%, 400V (V24446) 933-0643-000 C219 (REPLACES 931-0299-000)(REPLACE WITH 933-1043-610)		1
15	LP9A1E104K		2 CAPACITOR,FXD, PLSTC DIEI, 0.10UF, 10%, 400V (V01884) 933-1043-610 C219 (REPLACES 933-0643-000)		1
16	RN30R1002F		2 RESISTOR,FXD, FILM, 10K, 1%, 2W (V81349) 705-4009-000 R226		1
17	1N457		2 SEMICOND DEVICE CD PL STL, (V07910) 353-0204-000 CR210		1
18	1N457		2 SEMICOND DEVICE CD PL STL, (V07910) 353-0204-000 CR211		1
19	RN70D1001F		2 RESISTOR,FXD, FILM, 1K, 1%, 3/4W (V81349) 705-7596-000 R227		1
20	RN65D1212F		2 RESISTOR,FXD, FILM, 12.1K, 1%, 1/2W (V81349) 705-7148-000 R228		1
21	36704		2 TRANSFORMER,PWR (V73386) 662-0353-000 T203		1
22	50		2 RECTIFIER,MTLC (V84970) 353-0153-000 CR205		1
23	50		2 RECTIFIER,MTLC (V84970) 353-0153-000 CR207		1
24	50		2 RECTIFIER,MTLC (V84970) 353-0153-000 CR208		1
25	4-1001XP		2 TERMINAL BOARD (V91459) 306-0006-000 TB201-A		1
26	36C175A		2 CAPACITOR,FXD, CER DIEI, 10000PF, 20%, 500V (V56289) 913-3013-000 C217		1
27	36C175A		2 CAPACITOR,FXD, CER DIEI, 10000PF, 20%, 500V (V56289) 913-3013-000 C218		1
28	98650-0416		2 RELAY,AMT (V80089) 970-1937-000 K203		1
29	PC1011		2 RELAY,AMT (V29238) 970-1921-000 K201		1
30	KR2609-2		2 RELAY,AMT (V77342) 970-1936-000 K204		1

section 6
parts list

GROUP ASSEMBLY PARTS LIST

FIG - ITEM	PART NO	INDENT	DESCRIPTION	USABLE ON CODE	UNITS PER ASSY
6-6 - 31	D29668	2	CAPACITOR,FXD, ELCTLT, 250UF, M10%P100%, 25V, 2 SECT (V56289) 183-1480-000 C211		1
32	377-0305-000	2	RESISTOR,VAR, 5K, 10%, 2W (V12697) 377-0305-000 R219		1
33	735-0204-000	2	RESISTOR,RHEO, 0.25 OHM, 25W 735-0204-000 R230		1
34	609-0691-001	2	RECTIFIER ASSY (SEE FIG 6-7)		1
35	602Y8	2	TERMINAL BOARD (V71785) 367-0039-000 TB201		1
36	503-0668-001	2	TERMINAL JUMPER		3
37	540-9217-003	2	POST		2
38	544-6919-002	2	PLATE		1
39	E1000	2	INSULATOR,STDF (V70371) 190-1150-000		1
40	544-6924-002	2	SHAFT,INTERLOCK		1
41	544-6922-002	2	SPRING, SHORTING SWITCH		1
42	544-6906-002	2	INSULATOR, SHORTING SWITCH		1
43	544-6905-002	2	DISC,SHORTING		1
44	544-6967-002	2	COLLAR,SHAFT		1
45	8411K11	2	SWITCH,PUSH (V27193) 260-2548-000 S205		1
46	545-7599-002	2	SPRING, GROUNDING		1
47	1542A	2	TERMINAL BOARD (V71785) 306-0550-000 TB204		1
48	1542A	2	TERMINAL BOARD (V71785) 306-0550-000 TB205		1
49	332-14-06-032	2	TERMINAL BOARD (V71785) 306-0083-000 TB202		1
50	332-14-06-032	2	TERMINAL BOARD (V71785) 306-0083-000 TB203		1
51	5246A	2	TERMINAL BOARD (V71785) 306-0839-000 TB207		1
52	332-1403-165	2	TERMINAL BOARD (V71785) 306-0001-000 TB206		1
53	88-8TM	2	SOCKET,ELECTRON (V02660) 220-1005-000 XK202		1
54	HKPHJRZZ	2	FUSEHOLDER (V71400) 265-1019-000 XF201		1
55	HKPHJRZZ	2	FUSEHOLDER (V71400) 265-1019-000 XF205		1
56	HKPHJRZZ	2	FUSEHOLDER (V71400) 265-1019-000 XF202		1
57	HKPHJRZZ	2	FUSEHOLDER (V71400) 265-1019-000 XF203		1
58	P343-0312-000	2	SCREW,MACH, NP BRS, 8-32 X 5/8 (V77250) 343-0312-000		1
59	544-7027-005	2	SHELF,MOUNTING		1

GROUP ASSEMBLY PARTS LIST



TP3-5553-019

Rectifier Assembly
Figure 6-7

FIG - ITEM	PART NO	INDENT	DESCRIPTION	USABLE ON CODE	UNITS PER ASSY
6-7 -	609-0691-001	1	RECTIFIER ASSY (SEE FIG 6-6-34 FOR NHA)		REF
1	1N4005	2	SEMICONV DEVICE (V04713) 353-6442-050 CR203		1
2	40C286A	2	CAPACITOR,FXD, CER DIEI, 0.001UF, 20%, 1000V (V56289) 913-3742-000 C253		1
3	40C286A	2	CAPACITOR,FXD, CER DIEI, 0.001UF, 20%, 1000V (V56289) 913-3742-000 C256		1
4	1N4005	2	SEMICONV DEVICE (V04713) 353-6442-050 CR204		1
5	1N4005	2	SEMICONV DEVICE (V04713) 353-6442-050 CR202		1
6	40C286A	2	CAPACITOR,FXD, CER DIEI, 0.001UF, 20%, 1000V (V56289) 913-3742-000 C258		1
7	1N4005	2	SEMICONV DEVICE (V04713) 353-6442-050 CR206		1
8	1N4005	2	SEMICONV DEVICE (V04713) 353-6442-050 CR209		1
9	40C286A	2	CAPACITOR,FXD, CER DIEI, 0.001UF, 20%, 1000V (V56289) 913-3742-000 C251		1
10	1N4005	2	SEMICONV DEVICE (V04713) 353-6442-050 CR201		1
11	DD16-103	2	CAPACITOR,FXD, CER DIEI, 0.01UF, GMV, 1600V (V71590) 913-3522-000 C221		1
12	40C286A	2	CAPACITOR,FXD, CER DIEI, 0.001UF, 20%, 1000V (V56289) 913-3742-000 C255		1
13	1N4005	2	SEMICONV DEVICE (V04713) 353-6442-050 CR215		1
14	1N4005	2	SEMICONV DEVICE (V04713) 353-6442-050 CR214		1
15	40C286A	2	CAPACITOR,FXD, CER DIEI, 0.001UF, 20%, 1000V (V56289) 913-3742-000 C254		1
16	1N4005	2	SEMICONV DEVICE (V04713) 353-6442-050 CR213		1
17	40C286A	2	CAPACITOR,FXD, CER DIEI, 0.001UF, 20%, 1000V (V56289) 913-3742-000 C252		1
18	40C286A	2	CAPACITOR,FXD, CER DIEI, 0.001UF, 20%, 1000V (V56289) 913-3742-000 C257		1
19	1N4005	2	SEMICONV DEVICE (V04713) 353-6442-050 CR212		1
20	609-0690-001	2	TERMINAL BOARD		1
21	1143R	3	TERMINAL,FEEDTH (V71279) 306-0200-000		12
22	609-0689-000	3	TERMINAL BOARD		1

Revised 15 March 1976

6.3 NUMERICAL INDEX

PART NUMBER	FIG - ITEM	TTL REQ	PART NUMBER	FIG - ITEM	TTL REQ
ABC12	6-4-9	1		6-5-19	1
	6-4-10	1	KR2609-2	6-6-30	1
ABC8	6-4-8	1	KR2650	6-5-28	1
A15178	6-5-5	1	LP9A1E104K	6-6-15	1
B2133	6-4-12	1	MDA15	6-4-9	1
CK128X102M	6-2-100	1		6-4-10	1
CLS0420-1	6-5-74	4	MDX3 2-10	6-4-6	1
CL632-2C	6-2-31	2	MS15571-2	6-1-27	1
	6-2-137	2		6-2-20	2
CM06FD681J03	6-2-117	1			
CM37371-3010	6-2-56	1	MS16562-201	6-2-7	1
CP072FA3	6-5-56	1	MS35489-4	6-2-81	4
CP072FE1	6-5-54	2		6-5-25	4
CP72E1EH504K1	6-5-57	1	MS35489-6	6-5-71	2
DA858-003	6-2-66	1	MS75103-6	6-2-149	1
DD16-103	6-7-11	1	M39012-04-0002	6-2-192	1
DD60-152	6-2-96	1	NL422W20-012	6-5-4	4
	6-2-103	1	NO NUMBER	6-1-1	1
	6-5-1	1		6-1-2	1
DM15C050D500WV4C	6-2-151	1		6-1-5	1
R				6-4-	RF
DM15C150K500WV4C	6-2-148	AR	PC1011	6-6-29	1
R			P015-0554-000	6-5-10	2
DM15E220K500WV4C	6-2-148	AR	P343-0312-000	6-6-58	1
R			P344-0066-000	6-5-76	3
DM15E270K500WV4C	6-2-148	AR	P344-0072-000	6-5-75	12
R			RA20SASD501A	6-2-57	1
DM15E330K500WV4C	6-2-182	1	RCR20G204JS	6-1-12	1
R			RCR32G102KS	6-2-150	1
DM15E390K500WV4C	6-2-148	AR	RCR32G222KS	6-6-5	1
R			RCR32G332KS	6-6-8	1
DM15E470K500WV4C	6-2-148	AR	RCR32G472KS	6-1-13	1
R			RCR32G473KS	6-1-19	1
D29075	6-6-10	1	RCR42G102JS	6-5-46	1
D29076	6-5-37	1	RCR42G105JS	6-5-47	1
D29668	6-6-31	1		6-5-48	1
D38238	6-6-3	1		6-5-49	1
E1000	6-5-33	6		6-5-50	1
	6-6-39	1		6-5-51	1
E1001	6-2-90	1	RCR42G471KS	6-6-9	1
E10629	6-5-53	1	RCR42G560KS	6-1-11	1
E13660	6-2-159	1	RG58CU	6-2-178	1
E13768	6-2-155	1	RN30R1002F	6-6-16	1
E1704	6-5-7	2	RN65D1100F	6-1-9	1
E1706	6-5-11	2	RN65D1212F	6-6-20	1
	6-5-13	1	RN65D3832F	6-3-4	1
	6-5-45	5		6-3-7	1
E50007-041	6-5-38	1	RN70D1001F	6-6-19	1
F02B250V1AS	6-4-7	1	RN70D8060F	6-1-10	1
F346-4MILL6085	6-2-8	1	RS741XOK10R10H	6-1-8	1
	6-2-30	1	RW31V100	6-6-4	1
	6-2-43	1	RW32G100	6-5-8	1
	6-2-50	1		6-5-9	1
F347-4MILL6085	6-2-37	1	SPP9	6-5-6	2
GOS5-93	6-2-60	1	SP2-15	6-2-12	2
HKPHJRZZ	6-5-15	1		6-2-27	1
	6-6-54	1		6-2-41	1
	6-6-55	1	SP3-22	6-2-34	1
	6-6-56	1	SP4-28	6-2-47	1
	6-6-57	1		6-2-54	1
HP14N	6-5-29	1	S2001	6-5-16	1
HP4N	6-2-160	1	TC49	6-6-6	1
HP6N	6-1-33	1		6-6-7	1
HP8N	6-2-179	1			

NUMERICAL INDEX

PART NUMBER	FIG - ITEM	TTL REQ	PART NUMBER	FIG - ITEM	TTL REQ
X100	6-2-99	1		6-2-158	1
X1640	6-2-162	1	3302	6-5-21	1
X830	6-2-163	1	332-14-06-032	6-6-49	1
X896	6-2-98	1		6-6-50	1
Y131A	6-2-174	1	332-1403-165	6-6-52	1
02068 1-2 7-8	6-4-17	1	36C175A	6-1-6	1
1N1492	6-1-14	1		6-1-7	1
1N4005	6-7-1	1		6-2-95	1
	6-7-4	1		6-2-97	1
	6-7-5	1		6-2-101	1
	6-7-7	1		6-2-102	1
	6-7-8	1		6-2-113	1
	6-7-10	1		6-2-139	1
	6-7-13	1		6-2-140	1
	6-7-14	1		6-2-141	1
	6-7-16	1		6-2-142	1
1N457	6-7-19	1		6-2-143	1
	6-6-11	1		6-2-144	1
	6-6-12	1		6-2-145	1
	6-6-17	1		6-2-146	1
	6-6-18	1		6-2-167	1
1019W	6-5-66	4		6-3-5	1
1025NC	6-1-24	1		6-3-6	1
1025NC	6-1-25	1		6-3-9	1
106PDL2	6-2-170	3		6-3-10	1
1143B	6-7-21	12		6-5-30	1
12	6-5-32	6		6-5-31	1
	6-5-41	6		6-6-1	1
122-224-200	6-5-2	1		6-6-2	1
	6-5-3	1		6-6-14	1
1520A	6-1-32	1		6-6-26	1
1532A	6-1-29	1		6-6-27	1
154-16	6-2-68	1	36704	6-6-21	1
154-32	6-2-72	1	376-3275-000	6-2-56	1
	6-2-73	1	377-0305-000	6-6-32	1
1542A	6-6-47	1	37877	6-5-58	1
	6-6-48	1	4-1001XP	6-6-25	1
160P10494	6-6-15	1	4X250R0R4CX250B	6-2-166	1
1774	6-2-183	1	40C286A	6-7-2	1
	6-2-184	1		6-7-3	1
1775	6-2-58	1		6-7-6	1
	6-2-58A	1		6-7-9	1
18-119	6-6-13	1		6-7-12	1
18A18697	6-2-164	1		6-7-15	1
2A10B15	6-2-126	1		6-7-17	1
201-11-01-018	6-2-180	1		6-7-18	1
	6-2-181	1	4159-043	6-2-21	2
	6-5-63	1	491-32-11-080-93	6-3-12	10
	6-5-64	1	3		
	6-5-65	1	49966	6-2-71	
240-0191-000	6-2-149	1	50	6-6-22	1
2443-000X5T0151K	6-2-156	1		6-6-23	1
259-1027-000	6-1-20	1		6-6-24	1
262-0626-000	6-1-26	1	502-1515-002	6-2-5	2
262-0627-000	6-1-28	1	503-0668-001	6-6-36	3
27370	6-2-154	1	504-0717-003	6-5-70	2
280-2900-000	6-4-15	1	522-1286-011	6-1-	RF
280-3422-00	6-4-16	1	5246A	6-6-51	1
3B28	6-4-1	1	540-7036-002	6-2-70	1
	6-4-2	1	540-7979-000	6-2-65	1
31-759	6-1-21	1	540-9057-003	6-2-128	2
327-029X5T0102Z	6-2-114	1	540-9168-003	6-2-153	1
	6-2-157	1	540-9217-003	6-6-37	2

NUMERICAL INDEX

PART NUMBER	FIG - ITEM	TTL REQ	PART NUMBER	FIG - ITEM	TTL REQ
540-9250-003	6-2-64	1	544-6936-002	6-2-55	1
540-9468-003	6-2-18	3	544-6937-002	6-2-23	1
541-5970-002	6-2-130	2	544-6938-002	6-2-33	1
541-5974-002	6-2-129	2		6-2-46	1
541-5979-002	6-2-80	4		6-2-53	1
	6-5-26	4	544-6939-002	6-2-110	1
544-0781-004	6-1-4	2	544-6941-002	6-2-9	1
544-5439-002	6-4-14	2	544-6942-002	6-2-42	1
544-6871-000	6-2-169	1	544-6943-002	6-2-49	1
544-6872-000	6-4-13	1	544-6944-002	6-2-6	1
544-6873-000	6-1-35	1	544-6945-002	6-2-17	1
	6-2-	RF	544-6946-002	6-2-32	1
544-6874-000	6-4-20	1	544-6947-002	6-2-45	1
	6-5-	RF	544-6948-002	6-2-52	1
544-6876-000	6-2-108	1	544-6949-002	6-2-10	2
544-6877-000	6-2-112	1		6-2-25	1
544-6879-000	6-2-83	1	544-6950-002	6-2-62	1
544-6880-000	6-5-22	1	544-6952-002	6-2-2	1
	6-6-	RF		6-2-4	1
544-6881-000	6-5-23	1	544-6953-002	6-2-3	1
544-6882-000	6-5-14	1	544-6954-002	6-2-1	1
544-6883-000	6-2-152	1	544-6957-002	6-1-16	2
	6-3-	RF	544-6958-002	6-1-15	1
544-6884-000	6-1-18	1	544-6962-002	6-2-16	1
544-6886-000	6-3-3	1	544-6964-002	6-2-15	1
544-6887-000	6-2-176	1	544-6965-002	6-2-22	1
544-6890-002	6-2-177	1		6-5-20	1
544-6891-002	6-2-188	10	544-6967-002	6-2-13	2
	6-2-191	7		6-2-24	2
544-6892-002	6-2-185	2		6-2-84	1
544-6893-002	6-2-186	2		6-6-44	1
544-6894-002	6-2-165	1	544-6969-002	6-3-13	1
544-6896-002	6-2-75	1	544-6970-002	6-3-11	1
544-6897-002	6-4-18	1	544-6971-002	6-2-44	1
544-6898-002	6-2-40	1	544-6972-002	6-2-51	1
544-6899-002	6-2-39	1	544-6973-002	6-5-24	1
544-6900-002	6-2-67	1	544-6974-002	6-2-194	2
544-6901-002	6-5-67	4	544-6975-002	6-2-195	1
544-6903-002	6-5-68	1	544-6977-002	6-2-193	1
544-6904-002	6-5-17	1	544-6979-002	6-2-28	1
544-6905-002	6-6-43	1	544-6980-002	6-2-29	1
544-6906-002	6-6-42	1	544-6985-003	6-2-173	1
544-6914-002	6-5-61	1	544-6986-003	6-2-171	1
544-6919-002	6-2-89	1	544-6989-003	6-2-94	1
	6-6-38	1	544-6990-003	6-2-92	1
544-6920-002	6-2-190	1	544-6995-003	6-2-76	1
544-6921-002	6-2-189	1	544-6996-003	6-1-17	1
544-6922-002	6-2-85	1	544-6997-003	6-1-34	1
	6-6-41	1	544-6998-003	6-2-132	1
544-6924-002	6-2-86	1	544-6999-003	6-2-131	1
	6-6-40	1	544-7000-003	6-2-135	1
544-6925-002	6-2-88	1	544-7001-003	6-2-134	1
544-6926-002	6-2-87	1	544-7002-003	6-2-133	1
544-6927-002	6-2-109	1	544-7003-000	6-2-82	1
544-6928-002	6-2-69	1	544-7004-003	6-2-168	1
	6-2-74	6	544-7006-003	6-4-11	1
544-6929-002	6-2-19	2	544-7007-003	6-2-138	1
544-6931-002	6-2-14	2	544-7008-003	6-2-136	1
544-6932-002	6-2-11	2	544-7015-004	6-5-18	1
	6-2-26	1	544-7024-005	6-2-59	1
544-6933-002	6-2-111	1	544-7025-005	6-5-77	1
544-6934-002	6-2-35	1	544-7026-005	6-5-72	1
544-6935-002	6-2-48	1	544-7027-005	6-6-59	1

NUMERICAL INDEX

PART NUMBER	FIG - ITEM	TTL REQ	PART NUMBER	FIG - ITEM	TTL REQ
544-7028-005	6-4-19	1	913NEOPRENE45-55	6-5-62	i
544-7030-006	6-2-196	1	930-0035-000	6-5-55	1
544-7032-006	6-2-197	1	930-4314-000	6-5-59	i
544-7037-002	6-2-63	1		6-5-60	1
544-7038-002	6-2-161	1	9348	6-2-147	1
544-9789-002	6-5-12	1		6-3-2	1
545-3119-003	6-2-105	1		6-3-8	1
545-3120-004	6-2-104	1	94111AH	6-2-127	2
545-7599-002	6-6-46	1	95861AH	6-2-5	1
545-7600-002	6-2-38	1	970-1922-000	6-2-79	i
545-7601-002	6-2-36	1	98650-0416	6-6-28	i
545-7603-002	6-5-69	2			
545-7604-003	6-2-78	1			
545-7814-000	6-2-125	1			
545-7815-000	6-1-3	2			
545-7825-003	6-2-77	1			
545-9118-002	6-2-187	10			
546-2149-000	6-1-29	1			
557-018-8-50E	6-3-1	1			
5687	6-1-31	1			
5690	6-1-30	1			
602Y8	6-6-35	1			
609-0689-000	6-7-22	1			
609-0690-001	6-7-20	1			
609-0691-001	6-6-34	1			
	6-7-	REF			
61F40DA104	6-6-15	1			
662-0352-000	6-5-52	1			
68NC3-40	6-2-93	1			
68NC3-82	6-5-73	18			
6881M81060A	6-5-27	1			
710-2026-000	6-5-42	1			
	6-5-43	1			
	6-5-44	1			
710-2133-000	6-5-34	1			
	6-5-35	1			
	6-5-36	1			
710-3542-000	6-5-40	1			
735-0204-000	6-6-33	1			
7665K4	6-1-23	1			
790-1645-001	6-2-132	1			
82132-0032	6-2-172	1			
83001	6-1-22	1			
8411K11	6-2-91	1			
	6-6-45	1			
85-11-080-17	6-2-61	1			
85055Z	6-2-107	1			
88-8TM	6-6-53	1			
9	6-5-39	2			
913-3538-000	6-2-175	1			
913-3572-000	6-2-123	1			
913-3579-000	6-2-120	1			
	6-2-124	1			
913-3581-000	6-2-119	1			
	6-2-124	1			
913-3582-000	6-2-118	1			
913-3585-000	6-2-121	1			
913-3586-000	6-2-122	1			
913-3587-000	6-2-114	1			
913-3588-000	6-2-117	1			
913-3589-000	6-2-115	1			
	6-2-116	1			
913-3703-000	6-2-106	1			

6.4 REFERENCE DESIGNATION INDEX

REFERENCE DESIGNATION	FIG - ITEM	PART NUMBER	REFERENCE DESIGNATION	FIG - ITEM	PART NUMBER
B101	6-2-172	82132-0032	C147	6-2-117	913-3588-000
CR101A,CR101B	6-3-3	544-6886-000	C148	6-2-114	913-3587-000
CR201	6-7-10	1N4005	C148	6-2-114	327-029X5T0102Z
CR202	6-7-5	1N4005	C149	6-2-157	327-029X5T0102Z
CR203	6-7-1	1N4005	C150	6-2-115	913-3589-000
CR204	6-7-4	1N4005	C151	6-2-116	913-3589-000
CR205	6-6-22	50	C152	6-2-148	DM15C150K500WV4C
CR206	6-7-7	1N4005			R
CR207	6-6-23	50	C152	6-2-148	DM15E220K500WV4C
CR208	6-6-24	50			R
CR209	6-7-8	1N4005	C152	6-2-148	DM15E270K500WV4C
CR210	6-6-17	1N457			R
CR211	6-6-18	1N457	C152	6-2-148	DM15E390K500WV4C
CR212	6-7-19	1N4005			R
CR213	6-7-16	1N4005	C152	6-2-148	DM15E470K500WV4C
CR214	6-7-14	1N4005			R
CR215	6-7-13	1N4005	C201	6-1-7	36C175A
CR216	6-1-14	1N1492	C202	6-1-6	36C175A
CR217	6-6-12	1N457	C203	6-6-10	D29075
CR218	6-6-11	1N457	C204	6-5-37	D29076
C102	6-2-139	36C175A	C205	6-5-57	CP72E1EH504K1
C103	6-2-107	85055Z	C206	6-5-55	930-0035-000
C104	6-2-175	913-3538-000	C207	6-5-59	930-4314-000
C105	6-2-113	36C175A	C208	6-5-60	930-4314-000
C107	6-2-124	913-3579-000	C209	6-6-7	TC49
C107	6-2-124	913-3581-000	C210	6-6-6	TC49
C108	6-2-123	913-3572-000	C211	6-6-31	D29668
C109	6-2-121	913-3585-000	C212	6-5-30	36C175A
C110	6-2-122	913-3586-000	C213	6-5-31	36C175A
C111	6-2-151	DM15C050D500WV4C	C214	6-6-14	36C175A
		R	C215	6-6-1	36C175A
C112	6-3-1	557-018-8-50E	C216	6-6-2	36C175A
C113	6-3-6	36C175A	C217	6-6-26	36C175A
C114	6-3-5	36C175A	C218	6-6-27	36C175A
C115	6-2-106	913-3703-000	C219	6-6-15	LP9A1E104K
C116	6-2-156	2443-000X5T0151K	C219	6-6-15	61F40DA104
C118	6-2-66	DA858-003	C219	6-6-15	160P10494
C120	6-2-68	154-16	C221	6-7-11	DD16-103
C121	6-2-72	154-32	C251	6-7-9	40C286A
C122	6-2-73	154-32	C252	6-7-17	40C286A
C123	6-2-141	36C175A	C253	6-7-2	40C286A
C124	6-2-142	36C175A	C254	6-7-15	40C286A
C125	6-2-143	36C175A	C255	6-7-12	40C286A
C127	6-2-103	DD60-152	C256	6-7-3	40C286A
C128	6-2-144	36C175A	C257	6-7-18	40C286A
C129	6-2-145	36C175A	C258	6-7-6	40C286A
C130	6-2-140	36C175A	C259	6-5-1	DD60-152
C131	6-2-97	36C175A	C260	6-6-3	D38238
C132	6-2-100	CK12BX102M	DS201	6-2-20	MS15571-2
C133	6-2-101	36C175A	DS202	6-1-27	MS15571-2
C134	6-2-182	DM15E330K500WV4C	DS203	6-2-20	MS15571-2
		R	F201	6-4-6	MDX3 2-10
C135	6-2-102	36C175A	F202	6-4-9	ABC12
C137	6-2-120	913-3579-000	F202	6-4-9	MDA15
C138	6-2-119	913-3581-000	F203	6-4-10	ABC12
C139	6-2-118	913-3582-000	F203	6-4-10	MDA15
C140	6-3-9	36C175A	F204	6-4-8	ABC8
C141	6-2-95	36C175A	F205	6-4-7	F02B250V1AS
C142	6-2-146	36C175A	J101	6-2-180	201-11-01-018
C143	6-2-96	DD60-152	J102	6-2-181	201-11-01-018
C144	6-2-167	36C175A	J103	6-2-192	M39012-04-0002
C145	6-3-10	36C175A	J201	6-5-63	201-11-01-018
C146	6-2-158	327-029X5T0102Z	J202	6-5-64	201-11-01-018

REFERENCE DESIGNATION INDEX

REFERENCE DESIGNATION	FIG - ITEM	PART NUMBER	REFERENCE DESIGNATION	FIG - ITEM	PART NUMBER
J203	6-5-65	201-11-01-018	R230	6-6-33	735-0204-000
J204	6-5-16	S2001	R231	6-1-19	RCR32G473KS
K101	6-2-79	970-1922-000	R232	6-6-4	RW31V100
K102	6-2-104	545-3120-004	R233	6-5-44	710-2026-000
K201	6-6-29	PC1011	R235	6-1-13	RCR32G472KS
K202	6-4-12	B2133	S102	6-2-127	9411AH
K203	6-6-28	98650-0416	S103	6-2-91	8411K11
K204	6-6-30	KR2609-2	S104	6-2-77	545-7825-003
K205	6-5-28	KR2650	S201	6-1-23	7665K4
L101	6-2-62	544-6950-002	S202	6-1-22	8300
L102	6-2-65	540-7979-000	S203	6-1-25	1025W0
L103	6-2-149	240-0191-000	S205	6-6-45	8411K11
L103	6-2-149	MS75103-6	S207	6-1-20	259-1027-000
L104	6-2-78	545-7604-C03	S208	6-1-24	1025NC
L105	6-2-71	49966	TB101	6-2-58	1775
L106	6-3-8	9348	TB102	6-2-58A	1775
L107	6-3-2	9348	TB103	6-2-183	1774
L108	6-2-147	9348	TB104	6-2-184	1774
L109	6-2-67	544-6900-002	TB201	6-6-35	602Y8
L110	6-2-131	544-6999-003	TB201-A	6-6-25	4-1001XP
L111	6-2-132	544-6998-003	TB202	6-6-49	332-14-06-032
L111	6-2-132	790-1645-001	TB203	6-6-50	332-14-06-032
L112	6-2-133	544-7002-C03	TB204	6-6-47	1542A
L113	6-2-134	544-7001-003	TB205	6-6-48	1542A
L114	6-2-135	544-7000-003	TB206	6-6-52	332-1403-165
L115	6-2-125	545-7814-000	TB207	6-6-51	5246A
L201	6-5-53	E10629	T101	6-2-154	27370
L202	6-5-58	37877	T102	6-2-159	E13660
L203	6-6-13	18-119	T103	6-2-155	E13768
M201	6-1-31	5687	T201	6-5-5	A15178
M202	6-1-30	5690	T202	6-5-52	662-0352-000
R101	6-3-7	RN65D3832F	T203	6-6-21	36704
R102	6-3-4	RN65D3832F	V101	6-2-166	4X250B0R4CX250B
R104	6-2-150	RCR32G102KS	V201	6-4-1	3B28
R105	6-2-56	376-3275-000	V202	6-4-2	3B28
R105	6-2-56	CM37371-3010	XF201	6-6-54	HKPHJRZZ
R106	6-2-57	RA20SAS0501A	XF202	6-6-56	HKPHJRZZ
R201	6-5-43	710-2026-000	XF203	6-6-57	HKPHJRZZ
R202	6-6-9	RCR42G471KS	XF204	6-5-15	HKPHJRZZ
R203	6-5-40	710-3542-000	XF205	6-6-55	HKPHJRZZ
R204	6-1-8	RS741XOK10R10H	XK202	6-6-53	88-8TM
R205	6-5-34	710-2133-C00	XV101	6-2-174	Y131A
R206	6-5-35	710-2133-000	XV201	6-5-2	122-224-200
R207	6-5-36	710-2133-000	XV202	6-5-3	122-224-200
R209	6-1-10	RN70D8060F	Z101	6-2-108	544-6876-000
R210	6-5-46	RCR42G102JS			
R211	6-5-48	RCR42G105JS			
R212	6-5-49	RCR42G105JS			
R213	6-5-50	RCR42G105JS			
R214	6-5-51	RCR42G105JS			
R215	6-5-42	710-2026-000			
R217	6-1-12	RCR20G204JS			
R218	6-6-5	RCR32G222KS			
R219	6-6-32	377-0305-000			
R220	6-6-8	RCR32G332KS			
R221	6-1-9	RN65D1100F			
R222	6-5-8	RW32G100			
R223	6-5-9	RW32G100			
R225	6-1-11	RCR42G560KS			
R226	6-6-16	RN30R1002F			
R227	6-6-19	RN70D1001F			
R228	6-6-20	RN65D1212F			
R229	6-5-47	RCR42G105JS			